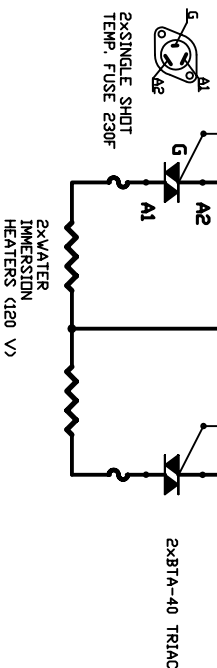
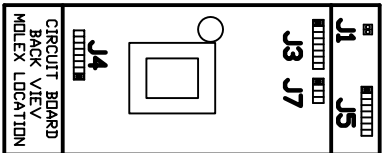
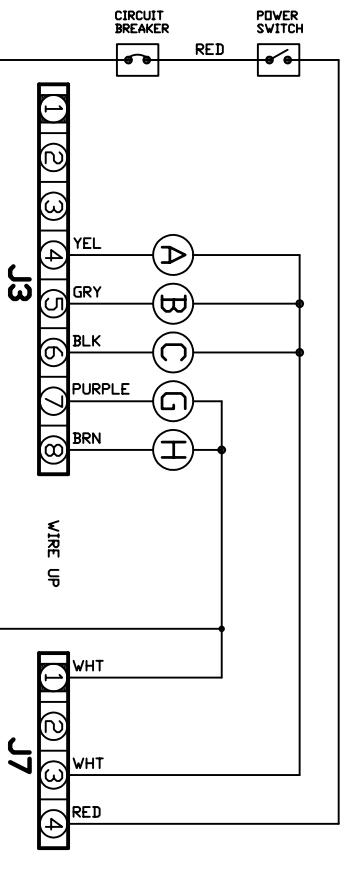
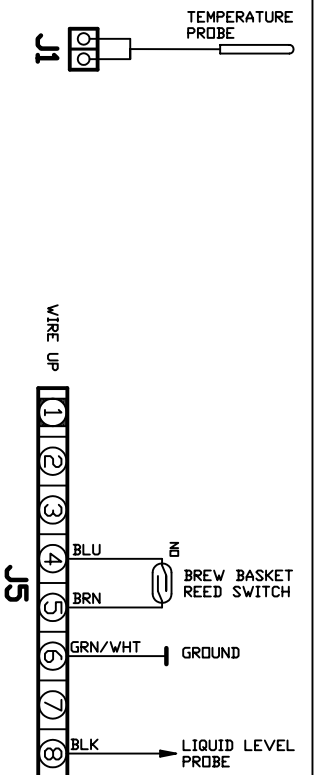


- LEGEND:
- A- LOCKER SOL ENOIDD
  - B- BYPASS VALVE
  - C- BREW VALVE
  - G- HOT WATER FAUCET
  - H- FILL VALVE



- LEGEND:
- A- LOCKER SOL ENOIDD
  - B- BYPASS VALVE
  - C- BREW VALVE
  - G- HOT WATER FAUCET
  - H- FILL VALVE

FETCO PRODUCT NO. CBS-2041e

DESCRIPTION: WIRING DIAGRAM, CBS-2041e, L1, L2, N + GRD, 2 HEATERS DR L1, N, + GRD, 1 HEATER

VIRING DIAGRAM NO. 401223-003

**FETCO**

FOOD EQUIPMENT TECHNOLOGIES COMPANY, INC.  
 5050 W. 136th St., Suite 200  
 Edina, MN 55425  
 Phone: (612) 338-2599  
 Fax: (612) 338-2599  
 E-Mail: techsupport@fetco.com  
 http://www.fetco.com

FETCO PRODUCT NO. CBS-2041e

DESCRIPTION: WIRING DIAGRAM, CBS-2041e, L1, L2, N + GRD, 2 HEATERS DR L1, N, + GRD, 1 HEATER

VIRING DIAGRAM NO. 401223-003

**FETCO**

FOOD EQUIPMENT TECHNOLOGIES COMPANY, INC.  
 5050 W. 136th St., Suite 200  
 Edina, MN 55425  
 Phone: (612) 338-2599  
 Fax: (612) 338-2599  
 E-Mail: techsupport@fetco.com  
 http://www.fetco.com