



KALORIK



Coffee maker

Cafetera

Machine à Café

www.KALORIK.com

USK CM 25282

120V~ 900W



Front cover page (first page)

Assembly page 1/24



Fax +32 2 359 95 50

Copies of the I/B. Please reproduce them without any changes except under special instruction from Team International BELGIUM. The pages must be reproduced and folded in order to obtain a booklet A5 (+/- 148.5 mm width x 210 mm height). When folding, make sure you keep the good numbering when you turn the pages of the I/B. Don't change the page numbering. Keep the language integrity. **Print only what is inside the frame.**



(EN) OPERATING INSTRUCTIONS

IMPORTANT SAFEGUARDS

When using electrical appliances, basic safety precautions should always be followed, including the following:

1. READ ALL INSTRUCTIONS

2. Check that your mains voltage corresponds to that stated on the appliance.
3. Do not touch hot surfaces. Use handles or knobs.
4. To protect against electrical shock do not immerse cord, plugs, or the coffee maker in water or other liquid.
5. Close supervision is necessary when any appliance is used by or near children.
6. Unplug from outlet when not in use and before cleaning. Allow to cool before putting on or taking off parts.
7. Do not operate any appliance with a damaged cord or plug or after the appliance malfunctions or has been damaged in any manner. Return appliance to the nearest authorized service facility for examination, repair, or adjustment.
8. The use of accessory attachments not recommended by the appliance manufacturer may cause injuries, fire or electric shock.
9. Do not use outdoors.
10. Do not let cord hang over edge of table or counter, or touch hot surfaces.
11. Do not place on or near a hot gas or electric burner, or in a heated oven.
12. Extreme caution must be used when moving an appliance containing hot oil or other hot liquids.
13. Always attach plug to appliance first, then plug cord into the wall outlet. To disconnect, put the switch in off position, then remove plug from wall outlet.
14. Do not use appliance for other than intended use.
15. Scalding may occur if the lid of the coffee maker is removed during the brewing cycles.
16. Make sure the appliance never comes into contact with inflammable materials such as curtains, textiles ... when it is in use as they might catch fire.
17. When removing lime scale, only use special products for the removal of lime scale. Never use ammonia or any other substance that might damage your health.



Fax +32 2 359 95 50

Copies of the I/B. Please reproduce them without any changes except under special instruction from Team International BELGIUM. The pages must be reproduced and folded in order to obtain a booklet A5 (+/- 148.5 mm width x 210 mm height). When folding, make sure you keep the good numbering when you turn the pages of the I/B. Don't change the page numbering. Keep the language integrity. **Print only what is inside the frame.**



18. Only put ground coffee in the filter. Always use a filter (paper or permanent) in the filter holder.
19. Never use your coffee maker without water in it. If you have a programmable coffee maker, make sure to fill it with water before programming it.
Important: never put the jug in a microwave oven to warm up the coffee. We will not take any responsibility if you do so.

SAVE THESE INSTRUCTIONS HOUSEHOLD USE ONLY

POLARIZED PLUG INSTRUCTIONS

This appliance is equipped with a polarized plug (one blade is wider than the other). To reduce the risk of electric shock, this plug will fit into the polarized outlet only one way. If the plug does not properly fit into the outlet at first, reverse it. If it still does not fit, contact a competent qualified electrician. **Do not attempt to modify the plug in any way.**

SHORT CORD INSTRUCTIONS

A short power supply cord is provided to reduce the hazards resulting from becoming entangled in, or tripping over a longer cord. Extension cords may be used if care is exercised in their use.

- The electrical rating of the extension cord should be at least that of the appliance. If the electrical rating of the extension cord is too low, it could overheat and burn.
- The resulting extended cord should be arranged so that it will not drape over the counter top or tabletop where it can be pulled on by children or tripped over.

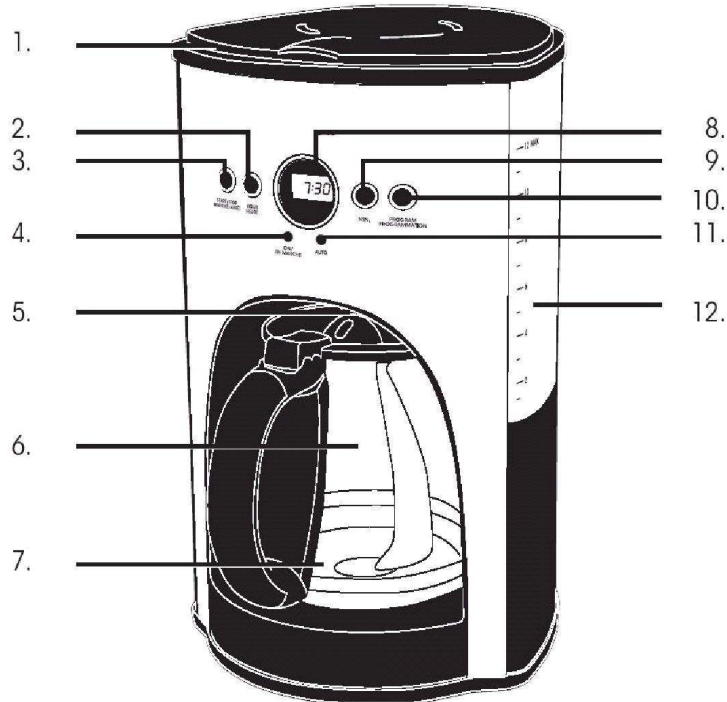
PART DESCRIPTION

- | | |
|--------------------------------|-------------------------------|
| 1. Hinged water reservoir lid | 7. Non-stick warming plate |
| 2. HOUR button | 8. Digital programmable clock |
| 3. START/STOP button | 9. MIN button |
| 4. RUN light | 10. PROG button |
| 5. Pause-and-Serve drip system | 11. AUTO light |
| 6. Glass carafe | 12. Water reservoir |



Fax +32 2 359 95 50

Copies of the I/B. Please reproduce them without any changes except under special instruction from Team International BELGIUM. The pages must be reproduced and folded in order to obtain a booklet A5 (+/- 148.5 mm width x 210 mm height). When folding, make sure you keep the good numbering when you turn the pages of the I/B. Don't change the page numbering. Keep the language integrity. **Print only what is inside the frame.**



TYPE OF FILTER: Cone paper filter type 4

BEFORE FIRST USE

- When you use your appliance for the first time, pour fresh water into the water tank (without coffee) and switch on the appliance.
- Once all the water has passed through, switch off the appliance and let it cool down. When it is cold enough repeat the process 3 times with fresh water.

SETTING THE CLOCK

To set the digital clock, press the PROGRAM button and then press the HOUR button until the clock displays the desired hour. Press the MIN button until the clock displays the desired number of minutes.



Fax +32 2 359 95 50

Copies of the I/B. Please reproduce them without any changes except under special instruction from Team International BELGIUM. The pages must be reproduced and folded in order to obtain a booklet A5 (+/- 148.5 mm width x 210 mm height). When folding, make sure you keep the good numbering when you turn the pages of the I/B. Don't change the page numbering. Keep the language integrity. **Print only what is inside the frame.**



PREPARATION OF COFFEE

- Open the lid of the water tank and pour the desired volume of water in it. The water level can be read off the water level indicator. Never exceed the maximum level indicated.
- Insert filter paper in the filter holder and add the desired quantity of ground coffee using the provided scoop.
- Never forget to close the water tank lid before switching on the coffee maker.
- Put the jug with closed lid on the hotplate.
- Plug in the coffee maker. Press the ON/OFF button once. The red RUN light, will be illuminated, indicating that your appliance is in use. Thanks to the keep warm function, your coffee stays warm as long as the appliance is switched on (for 2 hours, unless coffee maker gets switched off by user)
- Your coffee maker is equipped with a "Pause-and-Serve" function, which means that when you remove the jug from the appliance, a non-drip valve will automatically operate to stop any drops of coffee falling onto the hotplate. When you put the jug back into place, the non-drip valve opens automatically and allows remaining coffee to filter through into the jug.
- Wait until the brewing process is finished and the filter is empty before removing the jug.
- Practical hints: When the water tank is empty, wait a few more minutes, as some water might still drip out of the filter before removing the jug.
- **Note: a 2-hour auto-shut off feature is activated when operating the coffee maker manually**

PROGRAMMING THE COFFEE MAKER

- To program your coffee maker to brew fresh coffee at a preset time, first follow steps 1 to 4 in the "PREPARATION OF COFFEE" section.
- Make sure the coffee maker's clock is set to the right time.
- Press the PROG button twice. The clock will now display 12:00 with the word "TIMER" in the upper left corner. Use the HOUR and MINUTE buttons to set the desired brew time. Press PROG to validate the timer setting.
- Press the START/STOP button twice to activate the preset brew cycle. The green AUTO light will illuminate when the brew time is properly set.
- When your preset brew time is reached and the coffee maker starts its brew cycle, the green AUTO light will go out and the red ON light will illuminate.
- As with the regular brew cycle, an automatic two hour keep warm cycle will commence after your coffee maker has finished brewing. At the end of the two hours, the coffee maker will automatically shut itself off.



Fax +32 2 359 95 50

Copies of the I/B. Please reproduce them without any changes except under special instruction from Team International BELGIUM. The pages must be reproduced and folded in order to obtain a booklet A5 (+/- 148.5 mm width x 210 mm height). When folding, make sure you keep the good numbering when you turn the pages of the I/B. Don't change the page numbering. Keep the language integrity. **Print only what is inside the frame.**



NOTE: the 2-hour auto-shut off feature will also be activated when operating the coffee maker manually

DESCALING AND CLEANING

- Before any cleaning, switch the appliance off and unplug it. Let it cool down before cleaning or storage.
- The filter holder, the carafe and the lid of the carafe can be cleaned in warm soapy water.
- The coffee maker can be cleaned with a damp non-abrasive cloth or sponge. Do NOT immerse the coffee maker in water or any other liquid. Do NOT use harsh or abrasive cleaners or solvents.
- Removing lime scale / mineral deposits from your coffee maker prolongs its life span. For decalcification only use products especially made for descaling of coffee makers and follow their instruction manual carefully.
- Never put any part of the appliance in the dishwasher. Clean the jug with soapy water and rinse it with clear water.

PRACTICAL HINTS

Problem:

You notice that the coffee making process is longer than it should be

Solution:

It is probably time to decalcify the appliance. Do not wait for the situation to get worse. The decalcifying frequency depends on the amount of lime in water and therefore can be different from a household to another. Therefore it is important to pay attention to this. A good maintenance of your appliance will prolong its lifespan. Guarantee claims will not be accepted for the replacement of a heating element full of scale.

Problem:

The carafe is hard to remove when in place.

Solution:

The heating plate is designed deep in order to optimize the keep warm function. Please lift the carafe before removing it, or angle it slightly towards the back before removal. To replace the carafe, also angle it slightly towards the coffee maker.



Fax +32 2 359 95 50

Copies of the I/B. Please reproduce them without any changes except under special instruction from Team International BELGIUM. The pages must be reproduced and folded in order to obtain a booklet A5 (+/- 148.5 mm width x 210 mm height). When folding, make sure you keep the good numbering when you turn the pages of the I/B. Don't change the page numbering. Keep the language integrity. **Print only what is inside the frame.**



WARRANTY

We suggest that you complete and return the enclosed Product Registration Card promptly to facilitate verification of the date of original purchase. However, return of the Product Registration Card is not a condition of these warranties. You can also fill this warranty card online, at the following address: www.KALORIK.com

This KALORIK product is warranted in the U.S.A. for 1 year from the date of purchase against defects in material and workmanship. This warranty is not transferable. Keep the original sales receipt. Proof of purchase is required to obtain warranty performance.

During this period, the KALORIK product that, upon inspection by KALORIK, is proved defective, will be repaired or replaced, at Kalorik's option, without charge to the customer. If a replacement product is sent, it will carry the remaining warranty of the original product.

This warranty does not apply to any defect arising from a buyer's or user's misuse of the product, negligence, failure to follow KALORIK instructions noted in the user's manual, use on current or voltage other than that stamped on the product, wear and tear, alteration or repair not authorized by KALORIK, or use for commercial purposes. There is no warranty for glass parts, glass containers, filter basket, blades and agitators, and accessories in general. There is also no warranty for parts lost by the user.

ANY WARRANTY OF MERCHANTABILITY OR FITNESS WITH RESPECT TO THIS PRODUCT IS ALSO LIMITED TO THE ONE YEAR LIMITED WARRANTY PERIOD.

Some states do not allow limitation on how long an implied warranty lasts or do not allow the exclusion of incidental or consequential damages, so the above limitations may not apply to you. This warranty gives you specific legal rights, and you may also have other rights which vary from state to state.

If the appliance should become defective within the warranty period and more than 30 days after date of purchase, do not return



Fax +32 2 359 95 50

Copies of the I/B. Please reproduce them without any changes except under special instruction from Team International BELGIUM. The pages must be reproduced and folded in order to obtain a booklet A5 (+/- 148.5 mm width x 210 mm height). When folding, make sure you keep the good numbering when you turn the pages of the I/B. Don't change the page numbering. Keep the language integrity. **Print only what is inside the frame.**



the appliance to the store: often, our Consumer Service Representatives can help solve the problem without having the product serviced. If servicing is needed, a Representative can confirm whether the product is under warranty and direct you to the nearest service location.

If this is the case, bring the product, or send it, postage prepaid by the user (all Kalorik customers are responsible for the initial shipment back to the warranty center), along **with proof of purchase** and indicating a **return authorization number** given by our Consumer Service Representatives, to the authorized KALORIK Service Center (please visit our website at www.KALORIK.com or call our Customer Service Department for the address of our authorized KALORIK Service Center).

If you send the product, please include a letter explaining the nature of the claimed defect.

If you have additional questions, please call our Consumer Service Department (please see below for complete contact information), Monday through Friday from 9:00am - 6:00pm (EST). Please note hours are subject to change.

If you would like to write, please send your letter to:

KALORIK Consumer Service Department
Team International Group of America Inc.
1400 N.W 159th Street, Suite 102
Miami Gardens, FL 33169 USA

Or call:

Toll Free: +1 888-521-TEAM / +1 888-KALORIK

Only letters can be accepted at this address above. Shipments and packages that do not have a return authorization number will be refused.



Fax +32 2 359 95 50

Copies of the I/B. Please reproduce them without any changes except under special instruction from Team International BELGIUM. The pages must be reproduced and folded in order to obtain a booklet A5 (+/- 148.5 mm width x 210 mm height). When folding, make sure you keep the good numbering when you turn the pages of the I/B. Don't change the page numbering. Keep the language integrity. **Print only what is inside the frame.**



(SP) MANUAL DE INSTRUCCIONES

CONSEJOS DE SEGURIDAD

Cuando use algún aparato eléctrico siempre deben seguirse precauciones básicas de seguridad incluyendo las siguientes:

1. LEA TODAS LAS INSTRUCCIONES.

2. Antes de utilizar el aparato, compruebe que el voltaje de la red eléctrica coincide con el del aparato.
3. No toque las superficies calientes. Siempre utilice las asas o los botones.
4. Para protegerse contra una descarga eléctrica, no sumerja el aparato o el enchufe en agua o en otros líquidos.
5. Es siempre necesaria la supervisión cercana cuando se utiliza este aparato cerca de niños. Este aparato no debe ser usado por niños.
6. Desconecte el aparato de la toma de corriente cuando la unidad no se encuentra en uso o antes de limpiarla. Deje enfriar el aparato antes de insertar o sacar accesorios.
7. No opere este y ningún aparato si el cable o el enchufe están dañados, o después de que el aparato ha funcionado inadecuadamente o ha sido dañado en cualquier manera. El aparato debe ser reemplazado por el fabricante o por un centro de servicio autorizado o por una persona similar cualificada.
8. El uso de accesorios no recomendados por el fabricante puede causar lesiones.
9. No use en exteriores.
10. No permita que el cable cuelgue del borde de la mesa o del mostrador o toque las partes calientes.
11. No coloque este aparato cerca de quemadores de gas o eléctricos, o dentro de un horno caliente.
12. Tenga mucho cuidado cuando desplace un aparato lleno de aceite caliente u otros líquidos calientes.
13. Enchufe siempre primero el cable al aparato y después en el enchufe de la red eléctrica. Para desconectar el aparato, ponga el interruptor en la posición apagada y desenchufe el aparato.
14. No use este aparato más que para lo que ha sido diseñado.
15. Pueden ocurrir quemaduras si la tapa se levanta durante el ciclo de calentamiento.
16. Procure que el aparato no entre en contacto con materiales fácilmente inflamables como cortinas, tejidos, etc., cuando esté en funcionamiento, ya que podría provocar un incendio.



Fax +32 2 359 95 50

Copies of the I/B. Please reproduce them without any changes except under special instruction from Team International BELGIUM. The pages must be reproduced and folded in order to obtain a booklet A5 (+/- 148.5 mm width x 210 mm height). When folding, make sure you keep the good numbering when you turn the pages of the I/B. Don't change the page numbering. Keep the language integrity. **Print only what is inside the frame.**



17. Si quiere eliminar la cal del aparato utilice solamente un producto especialmente estudiado para este fin. No utilice amoníaco o cualquier otro producto que pueda perjudicar la salud.
18. Ponga sólo café molido en el filtro de café.
19. No haga funcionar la cafetera sin agua. Si su cafetera es programable, no olvide ponerle agua antes de la programación.
Importante: nunca ponga la jarra en un microondas para calentar el café. Rehusamos cualquier responsabilidad si no respeta esta instrucción.

GUARDE ESTAS INSTRUCCIONES SOLAMENTE PARA USO DOMESTICO

INFORMACIÓN SOBRE EL ENCHUFE POLARIZADO

Para reducir el riesgo de choque eléctrico, este aparato tiene un enchufe polarizado (una pata es más ancha que la otra). Como medida de seguridad, este enchufe calza en el tomacorriente polarizado de una sola manera. Si el enchufe no cabe totalmente en el tomacorriente, gire el enchufe. Si aun así no calza, consulte a un servicio técnico cualificado. **No intente anular esta característica de seguridad.**

INSTRUCCIONES DEL CABLE

El cable de alimentación del aparato es un cable corto a fin de disminuir el riesgo de accidentes (caídas al tropezar con él, etc.) Puede utilizar un alargador si es necesario.

- Asegúrese de que el nivel eléctrico del cable es igual o mayor que el indicado. Una extensión con un bajo nivel eléctrico correría el riesgo de sobrecalentarse y de estropearse.
- Para evitar riesgos colocar de forma tal que los niños no puedan jalarlo o tropezar con él... Que no arrastre nunca por el suelo.

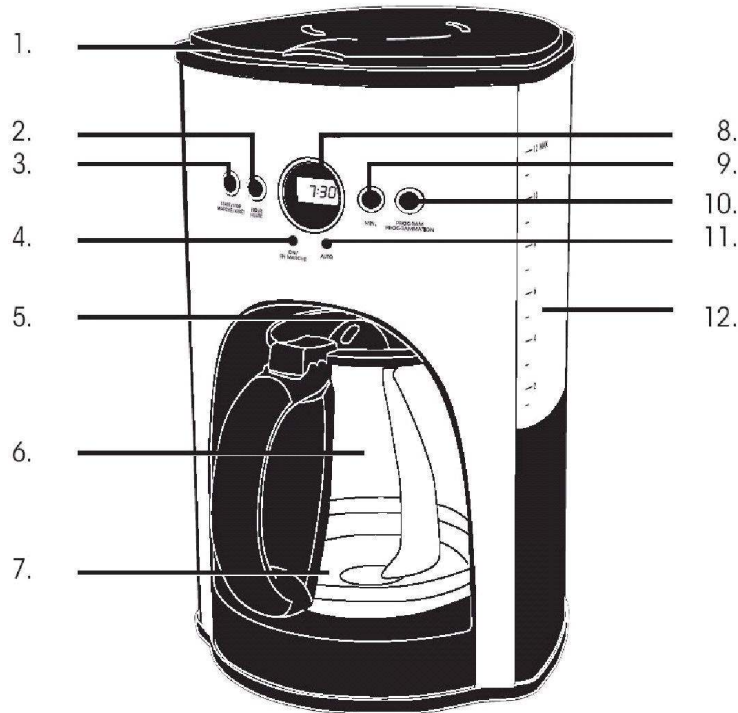
PARTES

- | | |
|---|------------------------------------|
| 1. Tapa del depósito de agua con bisagras | 7. Placa calentadora antiadherente |
| 2. Botón de las horas (HOUR) | 8. Reloj digital programable |
| 3. Botón Encendido / Apagado (ON/OFF) | 9. Botón de las minutos (MIN) |
| 4. Testigo Encendido (RUN) | 10. Botón PROG |
| 5. Función Pausa y Servicio | 11. Luz AUTO |
| 6. Jarra de cristal | 12. Depósito de agua |



Fax +32 2 359 95 50

Copies of the I/B. Please reproduce them without any changes except under special instruction from Team International BELGIUM. The pages must be reproduced and folded in order to obtain a booklet A5 (+/- 148.5 mm width x 210 mm height). When folding, make sure you keep the good numbering when you turn the pages of the I/B. Don't change the page numbering. Keep the language integrity. **Print only what is inside the frame.**



TIPO DE FILTRO: Filtro de papel de cono tipo 4

ANTES DE LA PRIMERA UTILIZACIÓN

- Antes de utilizar el aparato por primera vez, eche agua en el depósito (pero sin poner café) y ponga el aparato en funcionamiento.
- Cuando el agua haya pasado, apague el aparato y repita esta operación 3 veces sucesivas, esperando cada vez que el aparato haya enfriado.

AJUSTE DEL RELOJ

Para ajustar el reloj, pulse el botón PROG y luego pulse el botón HOUR hasta que en el reloj se vea la hora deseada. Pulse el botón MIN hasta que en el reloj se vea el número deseado de minutos.



Fax +32 2 359 95 50

Copies of the I/B. Please reproduce them without any changes except under special instruction from Team International BELGIUM. The pages must be reproduced and folded in order to obtain a booklet A5 (+/- 148.5 mm width x 210 mm height). When folding, make sure you keep the good numbering when you turn the pages of the I/B. Don't change the page numbering. Keep the language integrity. **Print only what is inside the frame.**



PARA HACER CAFÉ

- Abra la tapa del depósito y eche la cantidad de agua deseada. El nivel del agua está indicado en el depósito. Nunca sobrepase el nivel máximo.
- Coloque un filtro de papel y llénelo con la cantidad deseada de café molido utilizando la cuchara medidora prevista.
- No olvide cerrar la tapa del depósito antes de poner el aparato en marcha.
- Ponga la jarra con la tapa cerrada en la resistencia.
- Enchufe el aparato. Pulse el botón "ON/OFF" una vez. El testigo rojo "RUN" se encenderá indicando que el aparato está en funcionamiento. Un dispositivo está previsto para mantener el café caliente mientras la cafetera esté funcionando y la jarra colocada en la resistencia. Cuidado: la cafetera se quedará encendida mientras no apague el interruptor. No deje el aparato encendido por más de 2 horas, y no deje la jarra vacía en la resistencia.
- Su aparato está dotado de una función "Pausa y Servicio", lo que significa que cuando retire la jarra del aparato, una válvula antigoteo se cierre automáticamente para evitar que caiga alguna gota de café sobre la placa calefactora. Cuando vuelva a poner la jarra, el sistema antigoteo se detiene y deja que el café sobrante pase a la jarra.
- Cuando ya no haya agua en el depósito, espere hasta que el café deje de pasar antes de retirar la jarra.
- Consejo práctico: Cuando el agua haya salido del depósito espere a que esta haya también terminado de pasar por el filtro antes de retirar la jarra.

PROGRAMAR SU CAFETIERA

- Para programar su aparato para que pase el café a un momento predefinido, siga las etapas 1 a 4 del párrafo "PARA HACER CAFÉ".
- Asegúrese que el reloj del aparato esté bien ajustado.
- Pulse el botón "PROG" dos veces. El reloj está ahora en las 12:00 con la palabra "TIMER" en el rincón superior izquierdo. Utilice los botones HOUR y MINUTE para ajustar el momento en que desea que pase el café.
- Pulse el botón "ON/OFF" dos veces para activar el ciclo de pasaje del café predefinido. La luz verde "AUTO" se encenderá en cuanto el momento de pasaje del café esté bien definido.
- Cuando llega su tiempo predefinido de pasaje del café y que el aparato empieza su ciclo de pasaje, la luz verde se apagará y la luz roja "RUN" se encenderá.



Fax +32 2 359 95 50

Copies of the I/B. Please reproduce them without any changes except under special instruction from Team International BELGIUM. The pages must be reproduced and folded in order to obtain a booklet A5 (+/- 148.5 mm width x 210 mm height). When folding, make sure you keep the good numbering when you turn the pages of the I/B. Don't change the page numbering. Keep the language integrity. **Print only what is inside the frame.**



- Cómo con el ciclo regular de pasaje del café, un ciclo automático de mantenimiento de calor de dos horas empieza después de que su aparato haya terminado su pasaje del café. Al final de las dos horas, el aparato se apagará automáticamente.

DESCALCIFICACION Y LIMPIEZA

- Le aconsejamos desincrustar su aparato con regularidad para conservar la cafetera en buen estado. Para ello, utilice un desincrustante para cafeteras eléctricas que venden en el mercado y siga sus instrucciones
- No introduzca ninguna parte del aparato en el lavavajillas. Limpie la jarra con agua caliente jabonosa y enjuáguelo con agua clara.
- Para limpiar las partes en plástico y la resistencia, utilice una esponja no abrasiva o un paño húmedo.

CONSEJOS PRÁCTICOS

Problema:

Cuando empiece a notar que el café tarda en pasar más tiempo de lo habitual.

Solución:

Decalcifique su aparato y no espere, sobre todo, a que la situación se agrave. La frecuencia de desincrustación depende de la dureza del agua y varía entonces de una casa a otra. Es muy importante comprobar regularmente que no se forme cal en su cafetera. El mantenimiento de su cafetera es importante para la duración de vida de su aparato. Tenga en cuenta que la garantía no cubre los deterioros causados por el mal uso, ni el recambio de la resistencia por estar cubierta de cal.

Problema:

La jarra es difícil de sacar.

Solución:

Con el fin de mantener mejor el calor, la placa se ha diseñado ligeramente más profunda. Levante la jarra antes de sacarla, o inclínala ligeramente hacia atrás antes de retirarla. Para volver a colocarla, incline ligeramente hacia delante de la cafetera.



Fax +32 2 359 95 50

Copies of the I/B. Please reproduce them without any changes except under special instruction from Team International BELGIUM. The pages must be reproduced and folded in order to obtain a booklet A5 (+/- 148.5 mm width x 210 mm height). When folding, make sure you keep the good numbering when you turn the pages of the I/B. Don't change the page numbering. Keep the language integrity. **Print only what is inside the frame.**



GARANTÍA

Le sugerimos rellenar y nos envíen rápidamente la Tarjeta de Registro de Producto adjunta para facilitar la verificación de la fecha de compra. Por lo tanto, la devolución de esa Tarjeta de Registro de Producto no es una condición imprescindible para la aplicación de esa garantía. Puede también rellenar dicha tarjeta de garantía en línea en la dirección siguiente: www.KALORIK.com

A partir de la fecha de compra, este producto KALORIK está garantizado un año contra los defectos materiales y de fabricación, en los Estados Unidos. Esta garantía no es transferible. Conserve la prueba de compra original. Se exige una prueba de compra para obtener la aplicación de la garantía.

Durante este período, si el producto KALORIK después de una inspección por parte de KALORIK, se manifiesta defectuoso, será reparado o reemplazado, según lo que decida KALORIK, sin gastos para el consumidor. Si se envía un producto de reemplazo, se aplicará la garantía que queda del producto original.

Esta garantía no se aplica a los defectos causados por una mala utilización por parte del comprador o del usuario, o una negligencia al no respeto del manual de instrucciones KALORIK, o una utilización en un circuito eléctrico cuyo voltaje es diferente al que figura en el producto, o un desgaste normal, o modificaciones o reparaciones no autorizadas por KALORIK, o por un uso con fines comerciales. No existe garantía por las partes de cristal, jarras de cristal, filtros, cestos, cuchillas y accesorios en general. No existe tampoco garantía por las piezas perdidas por el usuario.

Toda garantía de valor comercial o de adaptabilidad a este producto está limitada a un año también.

Algunos estados no ponen límites a la duración de la garantía tácita o no autorizan la exclusión de daños y perjuicios accesorios o indirectos, por lo que puede que las restricciones anteriormente mencionadas no le sean aplicables a Usted. Esta garantía le otorga derechos legales particulares, pero usted puede tener también otros



Fax +32 2 359 95 50

Copies of the I/B. Please reproduce them without any changes except under special instruction from Team International BELGIUM. The pages must be reproduced and folded in order to obtain a booklet A5 (+/- 148.5 mm width x 210 mm height). When folding, make sure you keep the good numbering when you turn the pages of the I/B. Don't change the page numbering. Keep the language integrity. **Print only what is inside the frame.**



derechos que varían de un estado a otro y algunos derechos pueden variar de un estado a otro.

Si el aparato tuviera un defecto durante el periodo de garantía y / o más de 30 días después de que se compró, no devuelva el aparato en la tienda donde le compró: a menudo, nuestro Servicio al Consumidor puede ayudar a resolver el problema sin que el producto tenga que ser reparado. Si hace falta una reparación, uno de nuestros representantes puede confirmar si el producto está bajo garantía y dirigirle al servicio post-venta más próximo.

Si fuera el caso, traiga el producto (o envíelo, correctamente franqueado) con la **prueba de compra** que mencione **el número de autorización de devolución** indicado por nuestro Servicio al Consumidor, al servicio post-venta KALORIK más próximo. (Visite nuestra web www.KALORIK.com o llame al Servicio al Consumidor para obtener la dirección del Servicio post-venta KALORIK exclusivo más próximo).

Si envía el producto, le rogamos añadan una carta explicando la naturaleza del defecto.

Si tiene preguntas adicionales, por favor llame al Servicio al Consumidor (véase abajo para los datos completos), de lunes a viernes, de las 9 a las 18 (EST). Note que las horas pueden ser modificadas.

Si quiere escribirnos, puede hacerlo a la dirección siguiente:

KALORIK Servicio al Consumidor

Team International Group of America Inc.
1400 N.W 159th Street, Suite 102
Miami Gardens, FL 33169 USA

O llame gratuitamente (U.S.A.) al +1 888-521-TEAM / +1 888-KALORIK

Las cartas se aceptan solamente en la dirección anteriormente mencionada. Los envíos y paquetes que no tengan número de autorización de devolución serán rechazados.



Fax +32 2 359 95 50

Copies of the I/B. Please reproduce them without any changes except under special instruction from Team International BELGIUM. The pages must be reproduced and folded in order to obtain a booklet A5 (+/- 148.5 mm width x 210 mm height). When folding, make sure you keep the good numbering when you turn the pages of the I/B. Don't change the page numbering. Keep the language integrity. **Print only what is inside the frame.**



(FR) MODE D'EMPLOI

CONSIGNES DE SECURITE

Pour utiliser un appareil électrique, des précautions élémentaires sont à respecter, telles que celles énumérées ci-dessous :

- 1. LISEZ L'ENSEMBLE DES INSTRUCTIONS.**
2. Avant d'utiliser l'appareil, vérifiez que la tension du réseau correspond bien à celle indiquée sur sa plaque signalétique.
3. Ne touchez pas les surfaces chaudes. Manipulez les poignées et les boutons.
4. Pour écarter les risques d'électrocution, n'immergez pas le cordon, la fiche ou l'appareil dans l'eau ou dans tout autre liquide.
5. Faites particulièrement attention lorsque l'appareil est utilisé par ou en présence d'enfants.
6. Débranchez l'appareil de la prise murale lorsqu'il n'est pas utilisé ou avant de le nettoyer. Laissez l'appareil refroidir avant d'insérer ou retirer des pièces.
7. Ne faites pas fonctionner l'appareil si son cordon ou sa fiche est endommagé ou si l'appareil a présenté un dysfonctionnement ou est endommagé. Retournez l'appareil au centre de service autorisé pour le faire vérifier ou réparer.
8. L'utilisation d'accessoires non recommandés par le fabricant présente des risques d'incendie, d'électrocution ou de blessure.
9. N'utilisez pas l'appareil à l'extérieur.
10. Ne laissez pas le cordon pendre de la table ou d'un comptoir et évitez qu'il touche une surface chaude.
11. Ne placez pas l'appareil sur ou près d'un brûleur à gaz ou électrique ou dans un four chaud.
12. Soyez extrêmement prudent lorsque vous déplacez un appareil contenant de l'huile chaude ou d'autres liquides chauds.
13. Insérez toujours le cordon d'abord dans l'appareil et ensuite dans la prise murale. Pour déconnecter l'appareil, placez l'interrupteur sur la position arrêt et débranchez l'appareil.
14. N'utilisez pas cet appareil à des fins autres que celles pour lesquelles il est conçu.
15. Des brûlures peuvent être occasionnées si le couvercle est soulevé durant le cycle de chauffe.
16. Veillez à ce que l'appareil n'entre pas en contact avec des matériaux facilement inflammables comme les rideaux, les tissus,... lorsqu'il est en fonctionnement car le feu pourrait se déclarer.
17. Lors d'un éventuel détartrage, ne faites usage que de produits spécialement étudiés pour le détartrage de cafetière. Ne faites pas



Fax +32 2 359 95 50

Copies of the I/B. Please reproduce them without any changes except under special instruction from Team International BELGIUM. The pages must be reproduced and folded in order to obtain a booklet A5 (+/- 148.5 mm width x 210 mm height). When folding, make sure you keep the good numbering when you turn the pages of the I/B. Don't change the page numbering. Keep the language integrity. **Print only what is inside the frame.**



usage d'ammoniac ou de toute autre substance qui pourrait nuire à votre santé.

18. Ne mettez rien d'autre que du café moulu dans le filtre à café. Utilisez toujours un filtre (papier ou permanent) dans le porte filtre.
19. Ne faites pas fonctionner votre cafetière sans eau. Si votre cafetière est programmable, veillez à ne pas oublier de mettre de l'eau avant la programmation.

Important : votre verseuse ne peut en aucun cas être placée dans un four à micro-ondes pour réchauffer le café. Nous ne saurions être tenus comme responsables des dégâts causés par le non-respect de cette consigne.

CONSERVEZ CES INSTRUCTIONS USAGE DOMESTIQUE UNIQUEMENT

CONSIGNES CONCERNANT LA FICHE POLARISEE

Ce produit est muni d'une fiche polarisée (une lame plus large que l'autre). Ce genre de fiche n'entre que d'une façon dans une prise polarisée, afin de minimiser les risques de chocs électriques. Si vous n'arrivez pas à enfoncer la fiche à fond dans la prise, retournez la fiche et réessayez. Si cela ne fonctionne toujours pas, faites appel à un service qualifié compétent. **N'essayez jamais de modifier la fiche!**

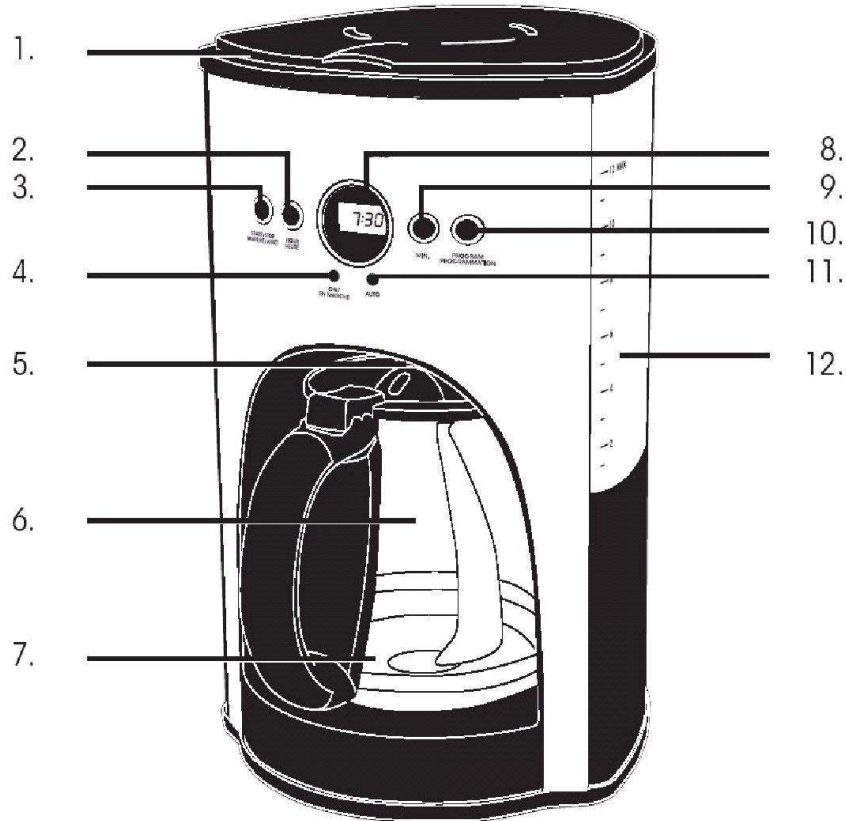
CONSIGNES CONCERNANT LE CORDON

Le cordon d'alimentation de l'appareil est un cordon de type court, et ce afin de diminuer les risques d'accidents (chute si vous marchez sur le cordon...). Vous pouvez toutefois utiliser une rallonge si nécessaire mais:

- Assurez-vous que l'ampérage de la rallonge soit égal ou supérieur à celui de l'appareil. Une rallonge avec un ampérage inférieur à celui de l'appareil risquerait de surchauffer et de brûler.
- La rallonge ne doit pas pendre du plan de travail ou de la table afin d'éviter que les enfants ne le tirent ou trébuchent.



DESCRIPTION



1. Couvercle du réservoir d'eau
2. Bouton de réglage des heures (HOUR)
3. Bouton Marche/arrêt (ON/OFF)
4. Témoin lumineux de fonctionnement (RUN)
5. Système anti-gouttes
6. Carafe en verre
7. Plaque de maintien au chaud
8. Horloge digitale
9. Bouton de réglage des minutes (MIN)
10. Bouton Programmation (PROG)
11. Témoin lumineux de programmation (AUTO)
12. Réservoir d'eau

TYPE DE FILTRE: Filtre papier conique de type 4



Fax +32 2 359 95 50

Copies of the I/B. Please reproduce them without any changes except under special instruction from Team International BELGIUM. The pages must be reproduced and folded in order to obtain a booklet A5 (+/- 148.5 mm width x 210 mm height). When folding, make sure you keep the good numbering when you turn the pages of the I/B. Don't change the page numbering. Keep the language integrity. **Print only what is inside the frame.**



AVANT LA PREMIERE UTILISATION

- Lorsque vous utilisez votre appareil pour la première fois, versez de l'eau dans le réservoir (sans mettre de café) et mettez l'appareil en fonctionnement.
- Dès que l'eau est passée, éteignez votre appareil et laissez refroidir. Répétez cette opération 3 fois successivement avec de l'eau fraîche.

REGLAGE DE L'HORLOGE

Pour régler l'horloge digitale, appuyez sur le bouton PROGRAM et appuyez ensuite sur le bouton « HOUR » jusqu'à ce que l'horloge affiche l'heure désirée. Appuyez sur le bouton « MIN » jusqu'à ce que l'horloge affiche les minutes désirées.

POUR FAIRE LE CAFÉ

- Soulevez le couvercle du réservoir.
- Versez la quantité d'eau désirée dans le réservoir en utilisant la verseuse. Ne dépassez pas la valeur maximale indiquée car le café déborderait de la verseuse.
- Placez le porte-filtre dans la cafetière. Mettez un filtre dans le porte-filtre et remplissez-le avec la quantité de café moulu désirée. Remplacez le porte-filtre, en vous assurant qu'il est correctement positionné.
- N'oubliez jamais de refermer le couvercle du réservoir et de placer la verseuse sur la plaque chauffante avant de mettre l'appareil en marche.
- Ensuite, allumez la cafetière en appuyant sur le bouton ON/Off. Le témoin lumineux de l'interrupteur « RUN » s'allumera vous indiquant que votre appareil est en fonctionnement. Un dispositif vous permet de conserver le café au chaud tant que la cafetière est en fonctionnement (pendant 2 heures, à moins d'une intervention de l'utilisateur) et que la verseuse est placée sur la plaque chauffante.
- Lorsque vous retirez la verseuse de l'appareil, une valve anti-gouttes se ferme automatiquement pour éviter que toute goutte de café ne tombe sur la plaque chauffante. La remise en place de la verseuse ouvre automatiquement le système anti-gouttes et permet au café restant dans le filtre de passer dans la verseuse.
- Lorsque le réservoir d'eau est vide, attendez que le café cesse de couler avant de retirer la verseuse.

Conseils pratiques: quand le réservoir est vide, attendez un petit peu pour servir, car de l'eau peut être encore présente dans le porte filtre.



Fax +32 2 359 95 50

Copies of the I/B. Please reproduce them without any changes except under special instruction from Team International BELGIUM. The pages must be reproduced and folded in order to obtain a booklet A5 (+/- 148.5 mm width x 210 mm height). When folding, make sure you keep the good numbering when you turn the pages of the I/B. Don't change the page numbering. Keep the language integrity. **Print only what is inside the frame.**



Note : la fonction d'arrêt automatique après deux heures est aussi activée en fonctionnement manuel.

PROGRAMMATION DE LA CAFETIERE

- Pour programmer votre cafetière, de façon à ce qu'elle passe le café à un moment prédéfini, suivez d'abord les étapes 1 à 4 du paragraphe "POUR FAIRE LE CAFÉ".
- Assurez-vous que l'horloge de la cafetière est réglée à la bonne heure.
- Appuyez deux fois sur le bouton « PROG » deux fois. L'horloge affichera 12:00 et le mot TIMER dans le coin supérieur gauche. Utilisez les boutons HOUR et MINUTE pour régler le moment où vous voulez que la cafetière passe le café. Appuyez de nouveau sur « PROG » pour valider.
- Appuyez deux fois sur le bouton POWER pour activer le cycle prédéfini de passage du café. Le témoin lumineux vert AUTO s'allumera lorsque le moment de passage du café sera correctement défini.
- Lorsque le moment prédéfini de passage du café sera atteint et que la cafetière commencera à passer le café, le témoin lumineux vert AUTO s'éteindra et le témoin lumineux rouge ON s'allumera.
- Comme pour le passage normal du café, un cycle de maintien au chaud de deux heures commencera après que votre cafetière a fini de passer le café. Au bout de deux heures, la cafetière s'éteindra automatiquement.

Note : la fonction d'arrêt automatique après deux heures est aussi activée en fonctionnement manuel.

DÉTARTRAGE ET NETTOYAGE

- Avant tout nettoyage, éteignez l'appareil, débranchez-le et laissez-le refroidir.
- Le filtre, le porte-filtre, la verseuse et le couvercle de la verseuse peuvent se nettoyer dans de l'eau chaude savonneuse.
- La cafetière peut se nettoyer à l'aide d'un chiffon humide. Ne mettez jamais votre cafetière dans l'eau ou tout autre liquide. N'utilisez pas de produits abrasifs ou de solvants.
- Détartrer la cafetière prolonge sa durée de vie. Pour le détartrage, n'utilisez que des produits spécialement conçus pour le détartrage des cafetières.
- Ne mettez jamais votre verseuse dans le lave-vaisselle. Nettoyez-la dans de l'eau chaude savonneuse.



Fax +32 2 359 95 50

Copies of the I/B. Please reproduce them without any changes except under special instruction from Team International BELGIUM. The pages must be reproduced and folded in order to obtain a booklet A5 (+/- 148.5 mm width x 210 mm height). When folding, make sure you keep the good numbering when you turn the pages of the I/B. Don't change the page numbering. Keep the language integrity. **Print only what is inside the frame.**



CONSEILS PRATIQUES

Problème : Lorsque vous constatez une augmentation du temps de passage du café

Solution : effectuez un détartrage complet de votre appareil et n'attendez surtout pas que la situation s'aggrave. La fréquence de détartrage est fonction de la dureté de l'eau et varie par conséquent selon les foyers. Il est par conséquent important de porter une attention particulière au phénomène d'entartrage. L'entretien de votre cafetière est important pour sa durée de vie et le remplacement d'une résistance entartrée ne sera pas pris en compte dans le cadre de la garantie.

Problème: la carafe est difficile à retirer

Solution: La plaque chauffante est conçue pour être profonde, afin d'optimiser la garde au chaud. Soulevez la carafe avant de la retirer, ou soulevez le côté de la poignée pour créer un angle avant de la retirer. Pour remettre la carafe en place, procédez de la même façon.



Fax +32 2 359 95 50

Copies of the I/B. Please reproduce them without any changes except under special instruction from Team International BELGIUM. The pages must be reproduced and folded in order to obtain a booklet A5 (+/- 148.5 mm width x 210 mm height). When folding, make sure you keep the good numbering when you turn the pages of the I/B. Don't change the page numbering. Keep the language integrity. **Print only what is inside the frame.**



GARANTIE

Nous vous suggérons de remplir et de nous renvoyer rapidement la Carte d'Enregistrement Produit ci-jointe afin de faciliter la vérification de la date d'achat. Cependant, le renvoi de la Carte d'Enregistrement Produit n'est pas une condition indispensable à l'application de la présente garantie. Vous pouvez aussi remplir cette carte de garantie en ligne à l'adresse suivante :

www.KALORIK.com.

A compter de la date d'achat, ce produit KALORIK est garanti un an, sur le territoire des Etats-Unis, contre les défauts matériels et de fabrication. Cette garantie n'est pas transférable. Conservez la preuve d'achat originelle. Une preuve d'achat est exigée pour obtenir l'application de la garantie.

Durant cette période, le produit KALORIK qui, après inspection par KALORIK, s'avère défectueux, sera réparé ou remplacé, au choix de KALORIK, sans frais pour le consommateur. Si un produit de remplacement est envoyé, c'est la garantie restante du produit original qui s'appliquera.

La présente garantie ne s'applique pas aux défauts dus à une mauvaise utilisation de la part de l'acheteur ou de l'utilisateur, à une négligence, au non-respect des consignes du manuel d'utilisation KALORIK, à une utilisation sur un circuit électrique au voltage différent de celui renseigné sur le produit, à une usure normale, à des modifications ou réparations non autorisées par KALORIK, ou par un usage à des fins commerciales. Il n'existe pas de garantie pour les parties en verre, récipients en verre, filtres, paniers, lames et accessoires en général. Il n'existe également pas de garantie pour les pièces perdues par l'utilisateur.

Toute garantie de valeur commerciale ou d'adaptabilité à ce produit est également limitée à la garantie d'un an.

Certains états ne limitent pas la longueur de la garantie tacite ou n'autorisent pas l'exclusion de dommages-intérêts accessoires ou indirects, les restrictions ci-dessus peuvent donc ne pas s'appliquer à



Fax +32 2 359 95 50

Copies of the I/B. Please reproduce them without any changes except under special instruction from Team International BELGIUM. The pages must be reproduced and folded in order to obtain a booklet A5 (+/- 148.5 mm width x 210 mm height). When folding, make sure you keep the good numbering when you turn the pages of the I/B. Don't change the page numbering. Keep the language integrity. **Print only what is inside the frame.**



vous. Cette garantie vous donne des droits légaux particuliers, et certains droits peuvent varier d'un état à l'autre.

Si l'appareil devait présenter un défaut durant la période de garantie et plus de 30 jours après l'achat, ne ramenez pas l'appareil au magasin : souvent, notre Service Clientèle peut aider à résoudre le problème sans que le produit ne doive être réparé. Si une réparation est nécessaire, un représentant peut confirmer si le produit est sous garantie et vous rediriger vers notre centre de réparation.

Le cas échéant, ramenez le produit (ou envoyez-le, dûment affranchi), ainsi qu'**une preuve d'achat**, en mentionnant **le numéro d'autorisation de retour**, indiqué par notre service clientèle, au service après-vente KALORIK agréé (visitez notre site internet **www.KALORIK.com** ou appelez notre département Service Clientèle pour obtenir l'adresse du service après-vente KALORIK agréé).

Si vous envoyez le produit, veuillez y joindre une lettre expliquant la nature du défaut.

Si vous avez des questions complémentaires, veuillez appeler notre département Service Clientèle (voyez plus bas pour les coordonnées complètes), du lundi au vendredi de 9h à 18h (EST). Veuillez noter que les heures sont sujettes à modification.

Si vous souhaitez nous écrire, adressez votre courrier à:

KALORIK Consumer Service Department

Team International Group of America Inc.
1400 N.W 159th Street, Suite 102
Miami Gardens, FL 33169 USA

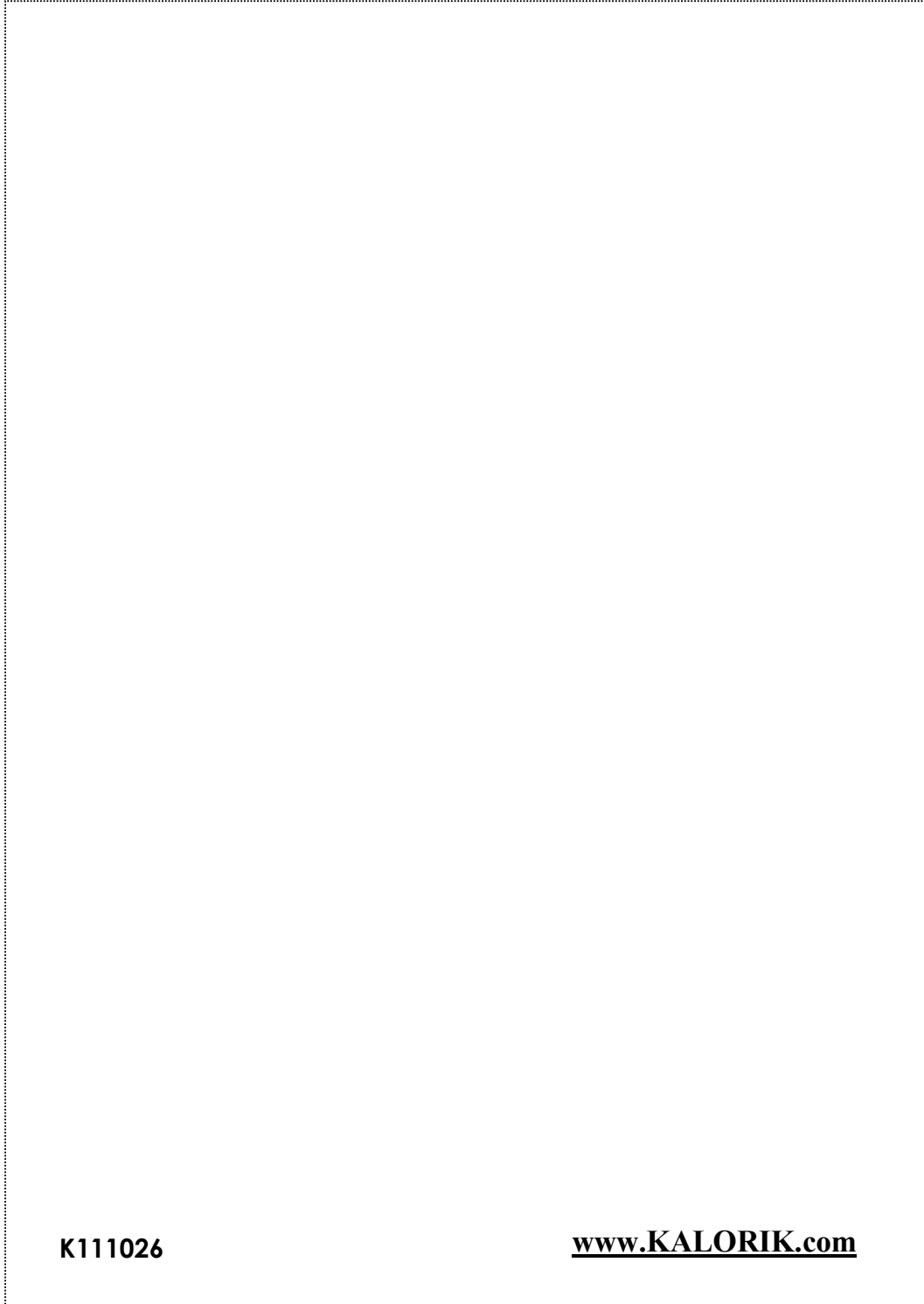
Ou appelez (Gratuitement des Etats-Unis): +1 888-521-TEAM ou +1 888-KALORIK.

Seules les lettres seront acceptées à l'adresse ci-dessus. Les envois et colis n'ayant pas de numéro d'autorisation de retour seront refusés.



Fax +32 2 359 95 50

Copies of the I/B. Please reproduce them without any changes except under special instruction from Team International BELGIUM. The pages must be reproduced and folded in order to obtain a booklet A5 (+/- 148.5 mm width x 210 mm height). When folding, make sure you keep the good numbering when you turn the pages of the I/B. Don't change the page numbering. Keep the language integrity. **Print only what is inside the frame.**



K111026

www.KALORIK.com



Back cover page (last page)

Assembly page 24/24