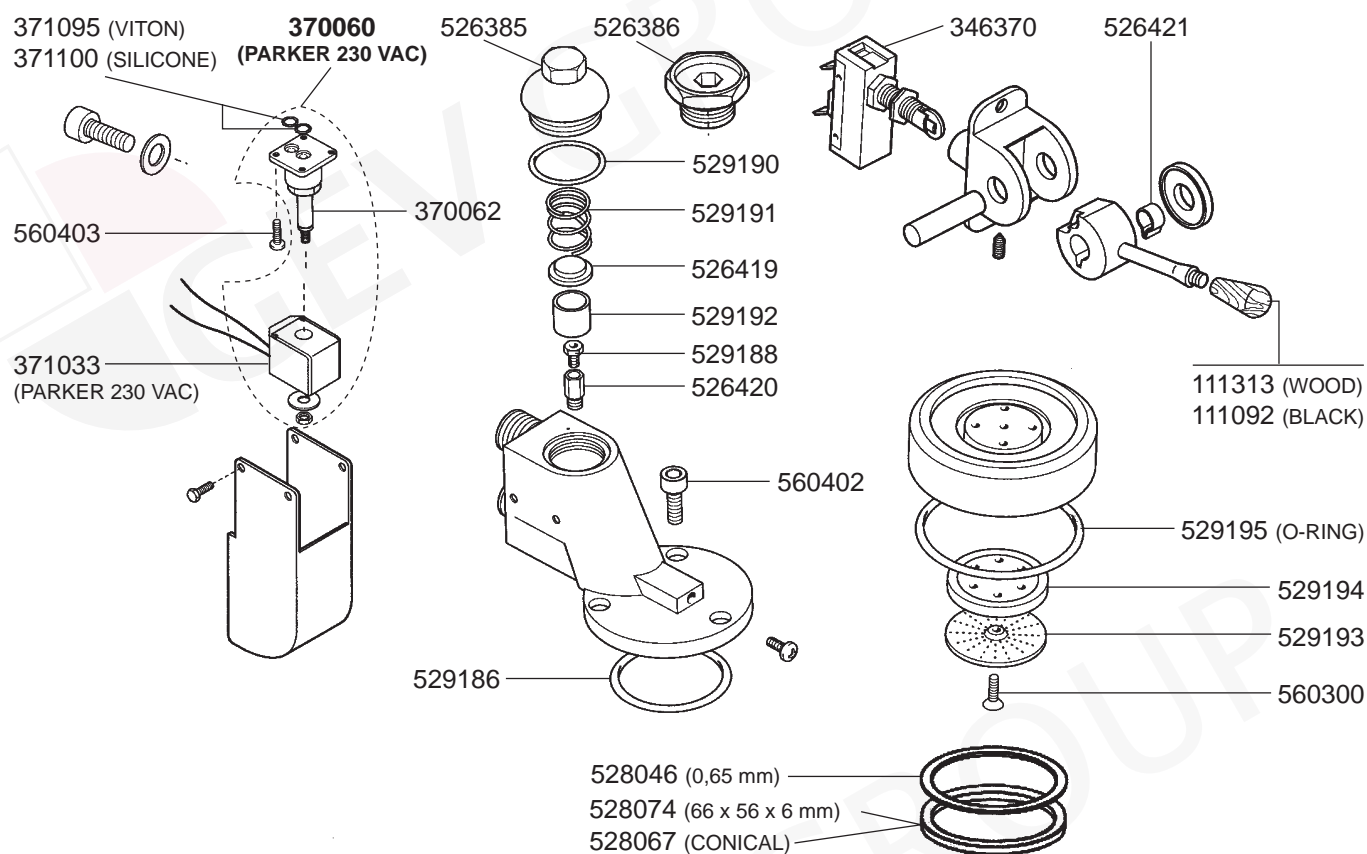


GROUP



FILTER HOLDERS



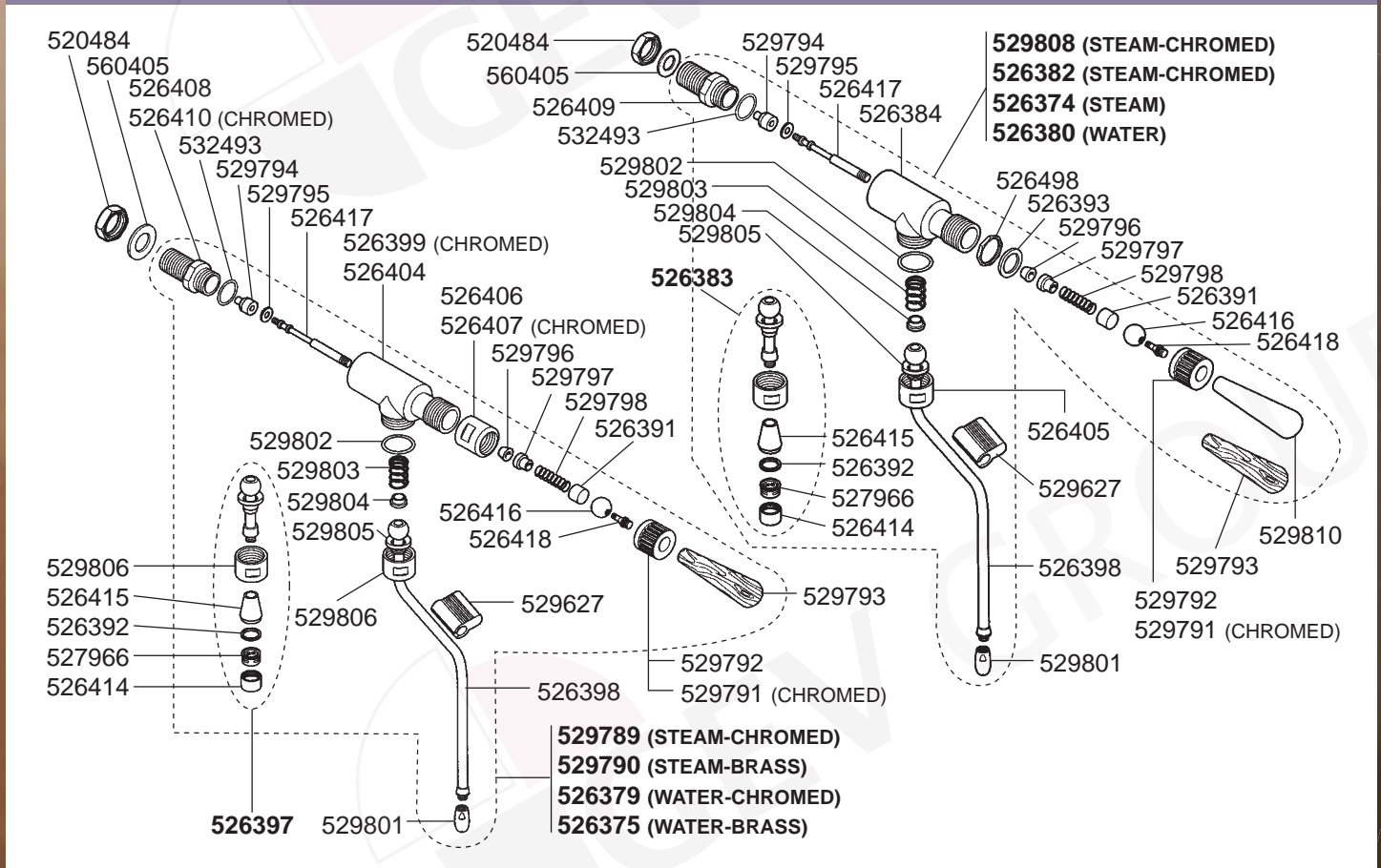
ELEKTRA – ESPRESSO MACHINES

1
ESPRESSO MACHINES

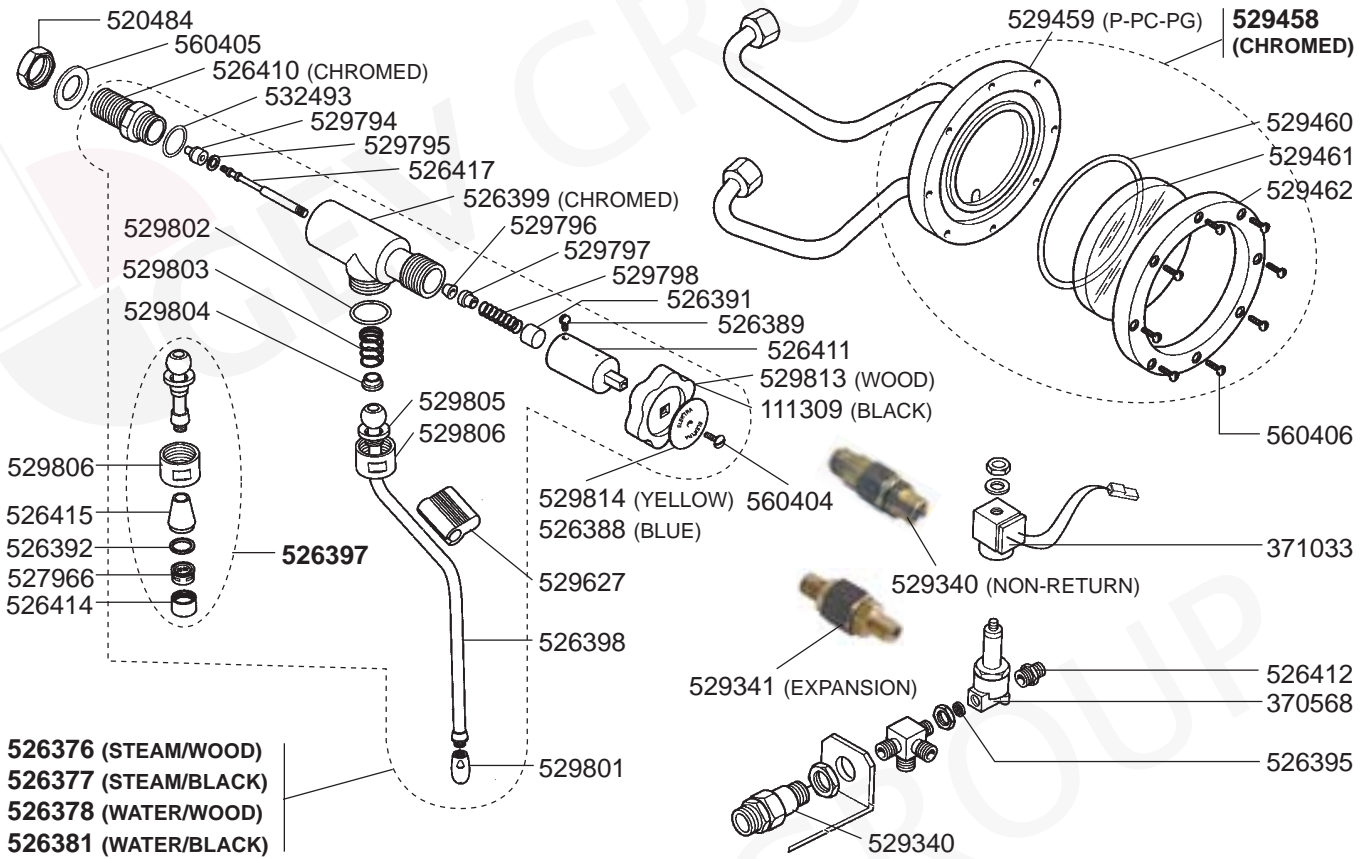
GROUP/FILTER HOLDERS HOME



STEAM/WATER TAPS

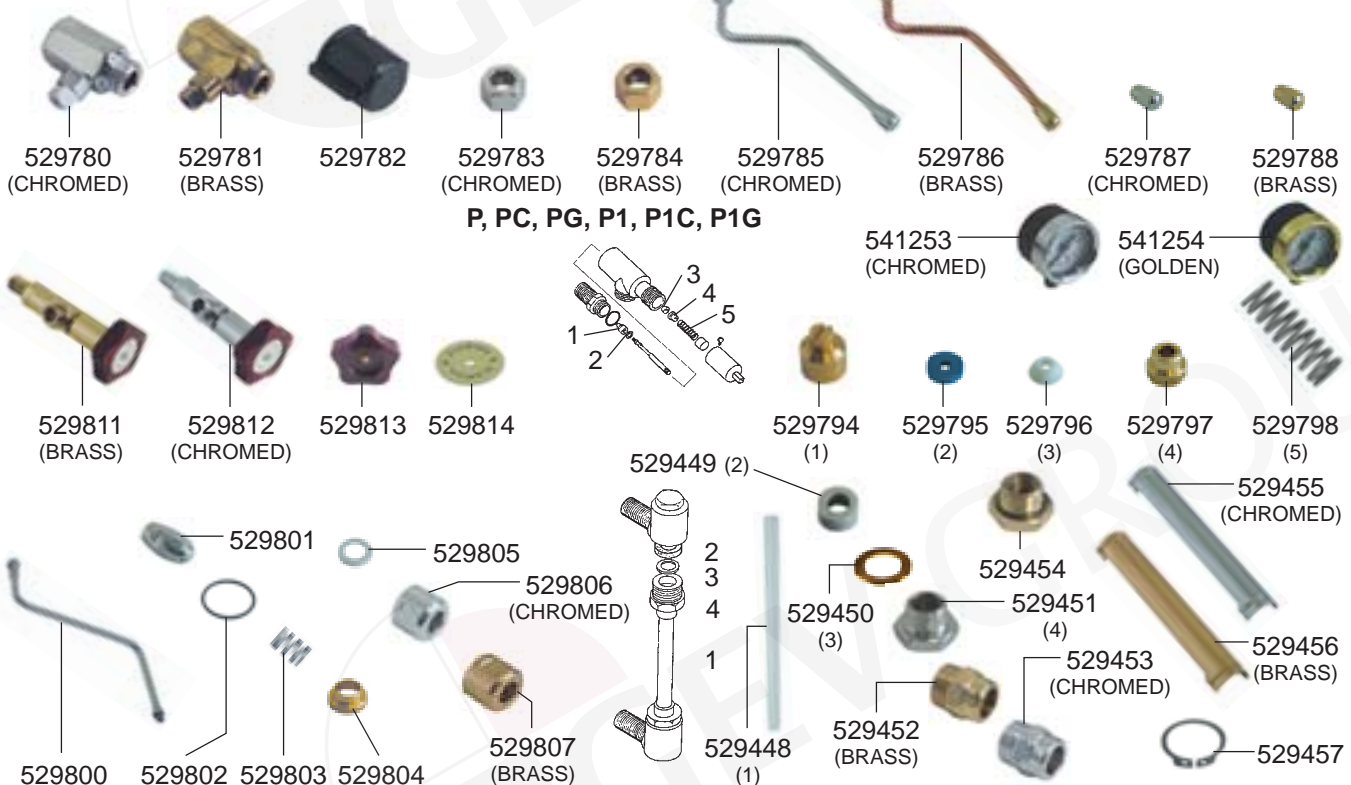


STEAM/WATER TAPS/LEVEL INDICATOR/VALVES



STEAM/WATER TAPS/LEVEL INDICATOR HOME

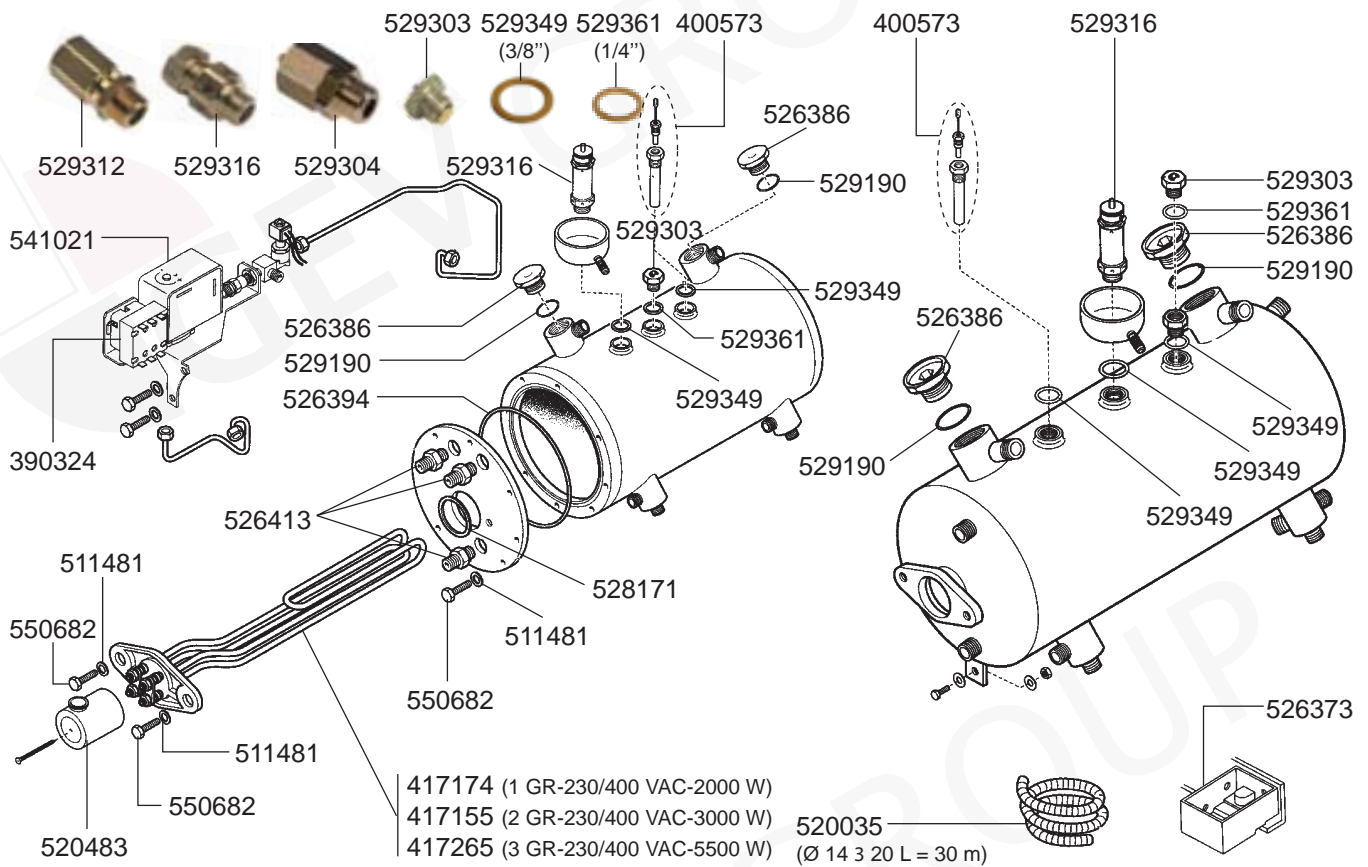
S1, S1C, SX, SXC



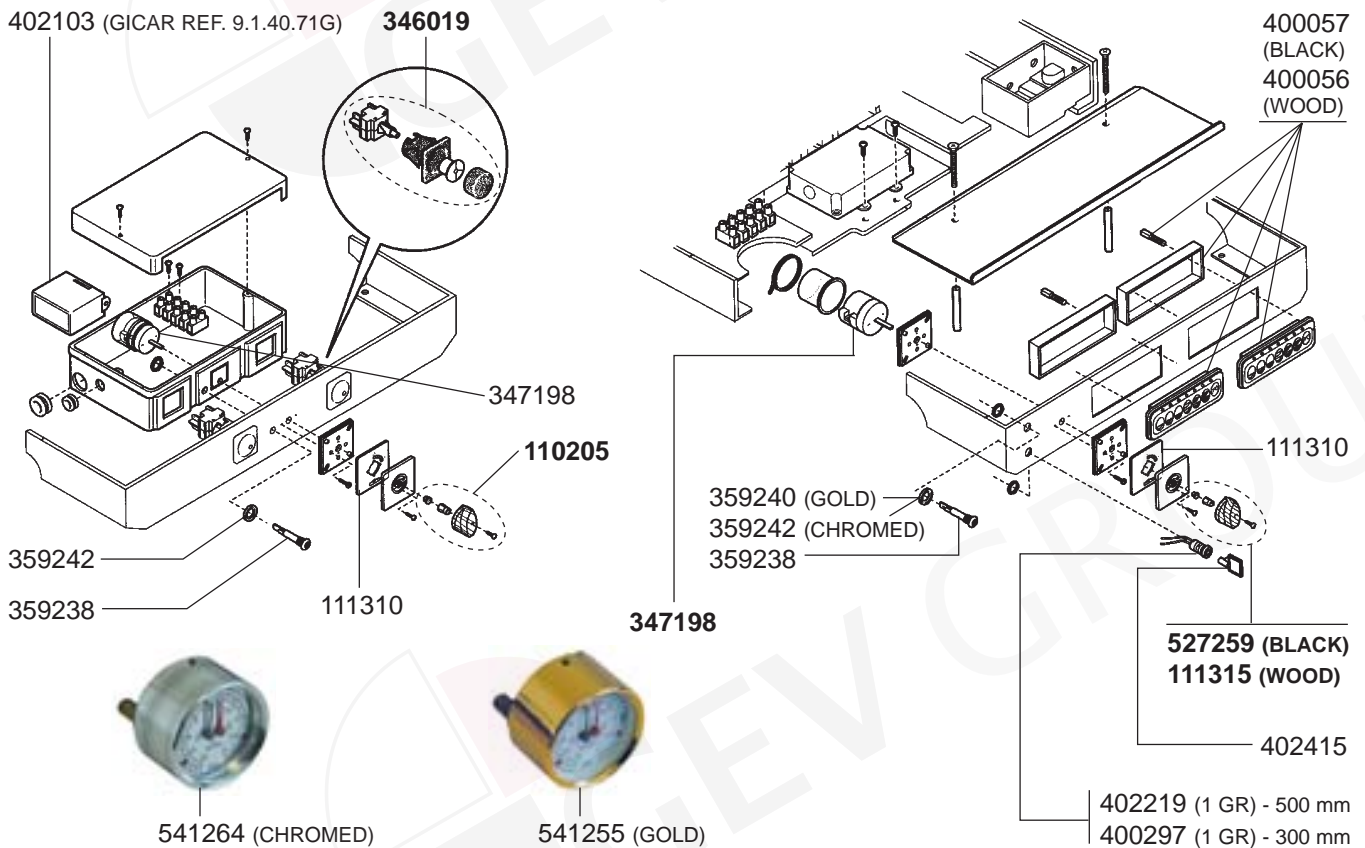
ELEKTRA – ESPRESSO MACHINES

ESPRESSO MACHINES

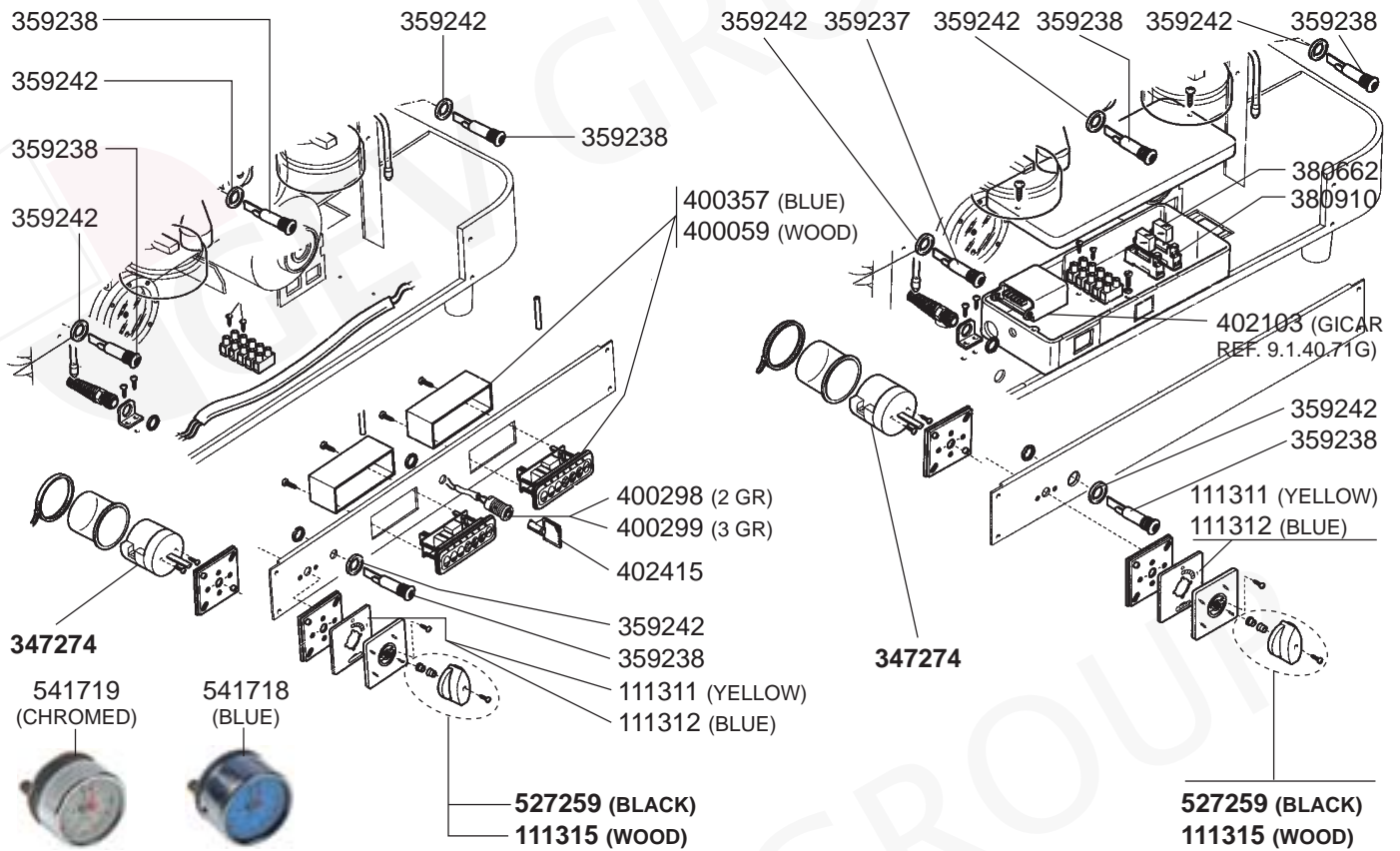
1 BOILER/DRIP TRAY VARIOUS



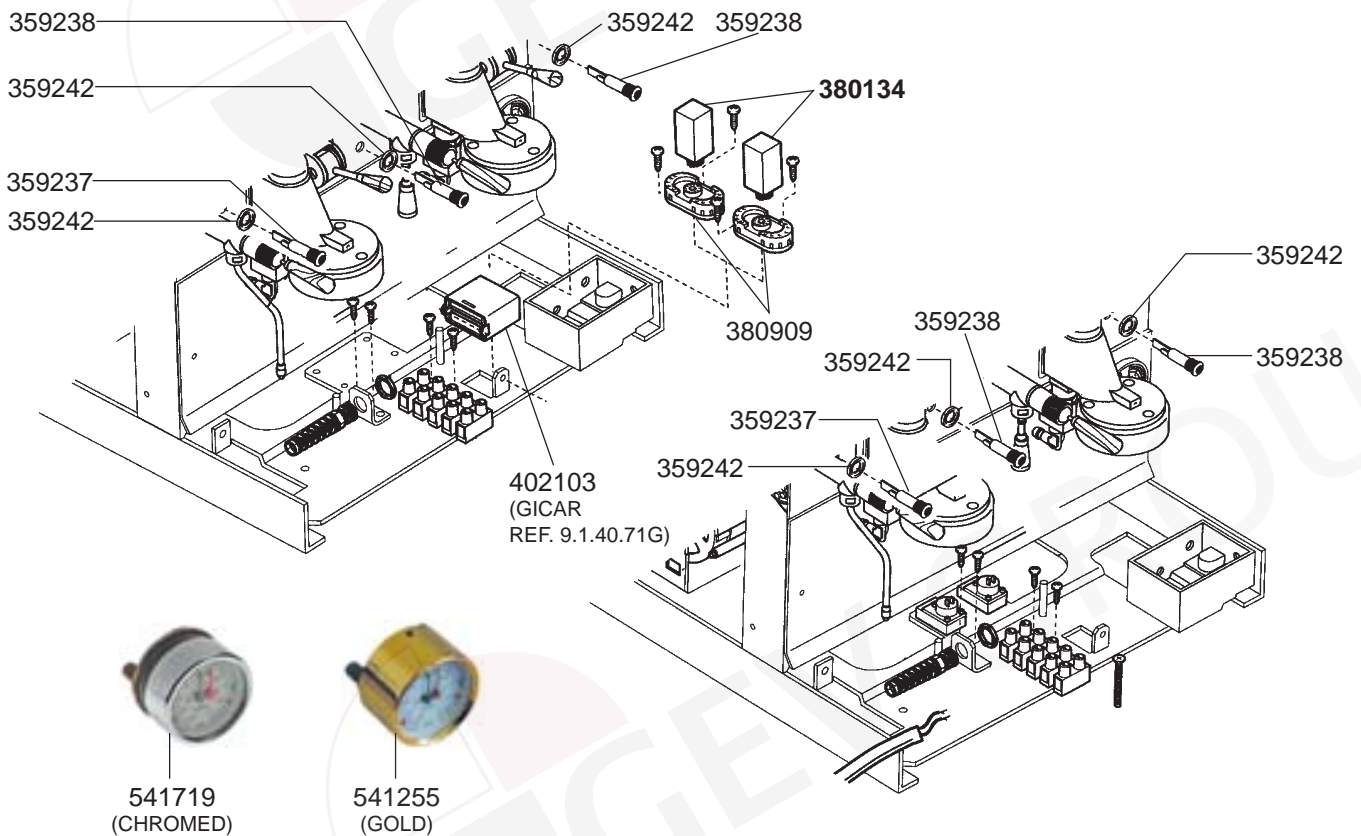
ELECTRICAL COMPONENTS MODERN-GOLD



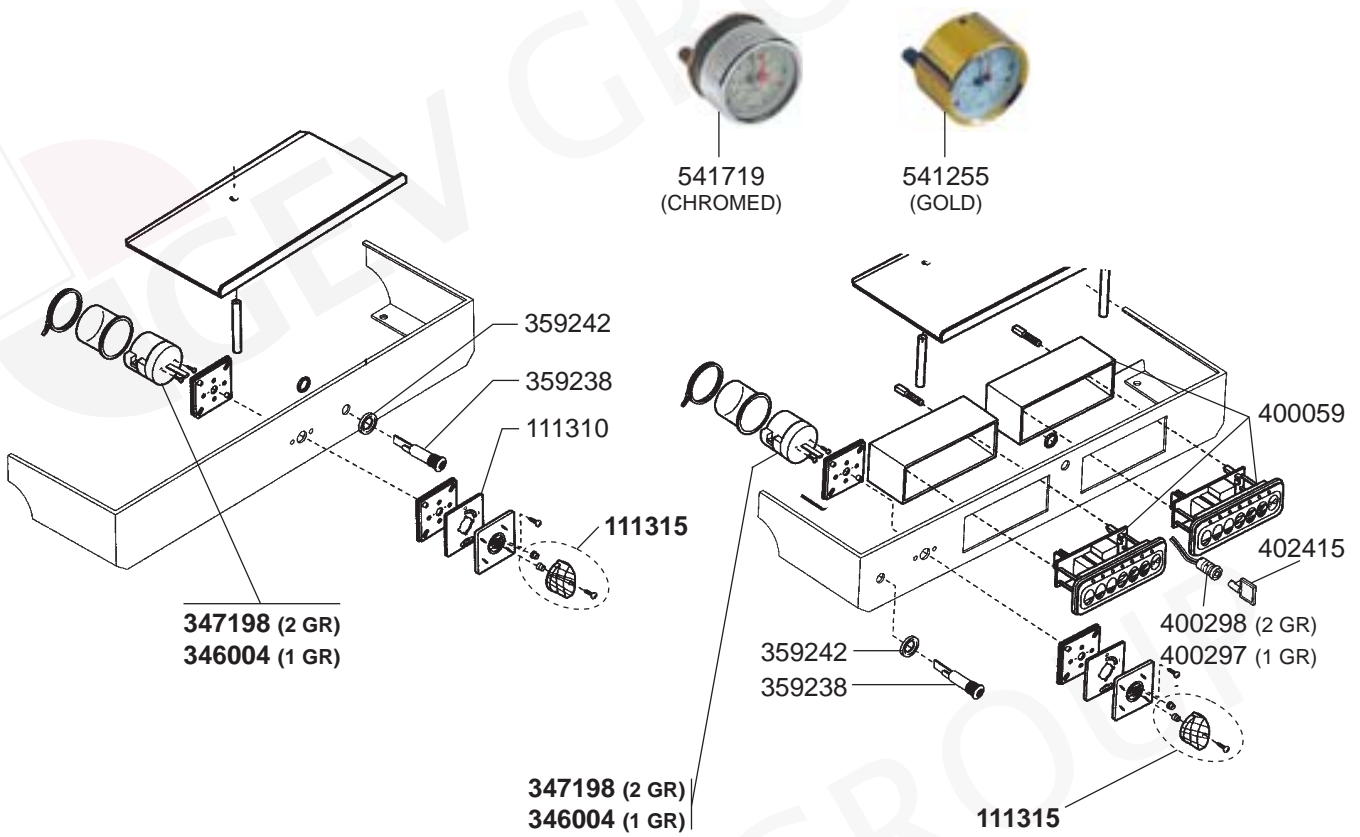
ELECTRICAL COMPONENTS BARLUME



ELECTRICAL COMPONENTS SIXTIES



ELECTRICAL COMPONENTS SIXTIES



ELECTRICAL COMPONENTS VARIOUS



ELECTRICAL COMPONENTS VARIOUS



390324



345722 (1 POLE)



345720 (2 POLES)



346020



346031



346032



346019



301001
(RED)



301060



301038 (GREEN)



301039 (RED)



301040 (SWITCH)
301044
(PUSH BUTTON)



359237
(RED)



359238
(GREEN)



359240
(GOLD)



359242
(CHROMED)



417175
(800 W
230 VAC)



528182



400361
(OLD-00384035)