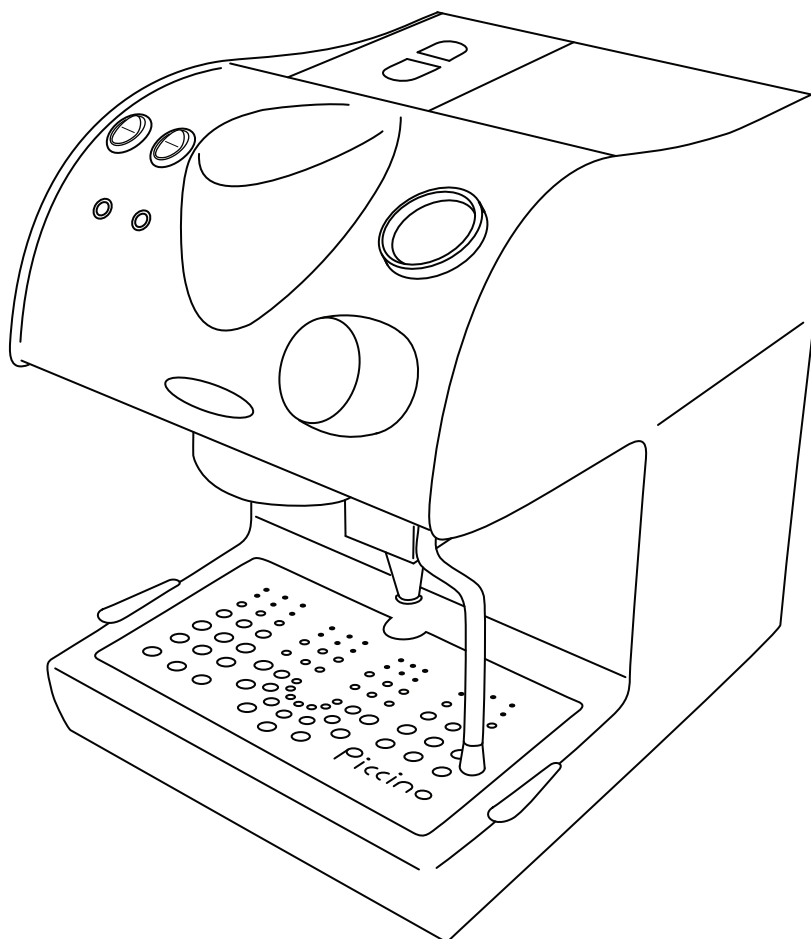


Piccino

PARTS BOOK



Domestic Espresso Coffee Machine



FRACINO
17-19 BIRCH ROAD EAST
WITTON
BIRMINGHAM
B6 7DA

TEL: 0121 328 5757
FAX: 0121327 3333
EMAIL: spares@fracino.com

Contents

- Pg 1 – Warnings
- Pg 2-5 – Parts list
- Pg 6 – External Bodywork
- Pg 7 – Manifold and Pump Assembly
- Pg 8 – Steam Boiler
- Pg 9 – Group
- Pg10 – Steam Valve
- Pg 11 – Front Panel
- Pg 12 – Manifold
- Pg 13 – Water Container Housing
- Pg 14 – Filter Holder
- Pg 15 – Wiring Diagram

WARNINGS

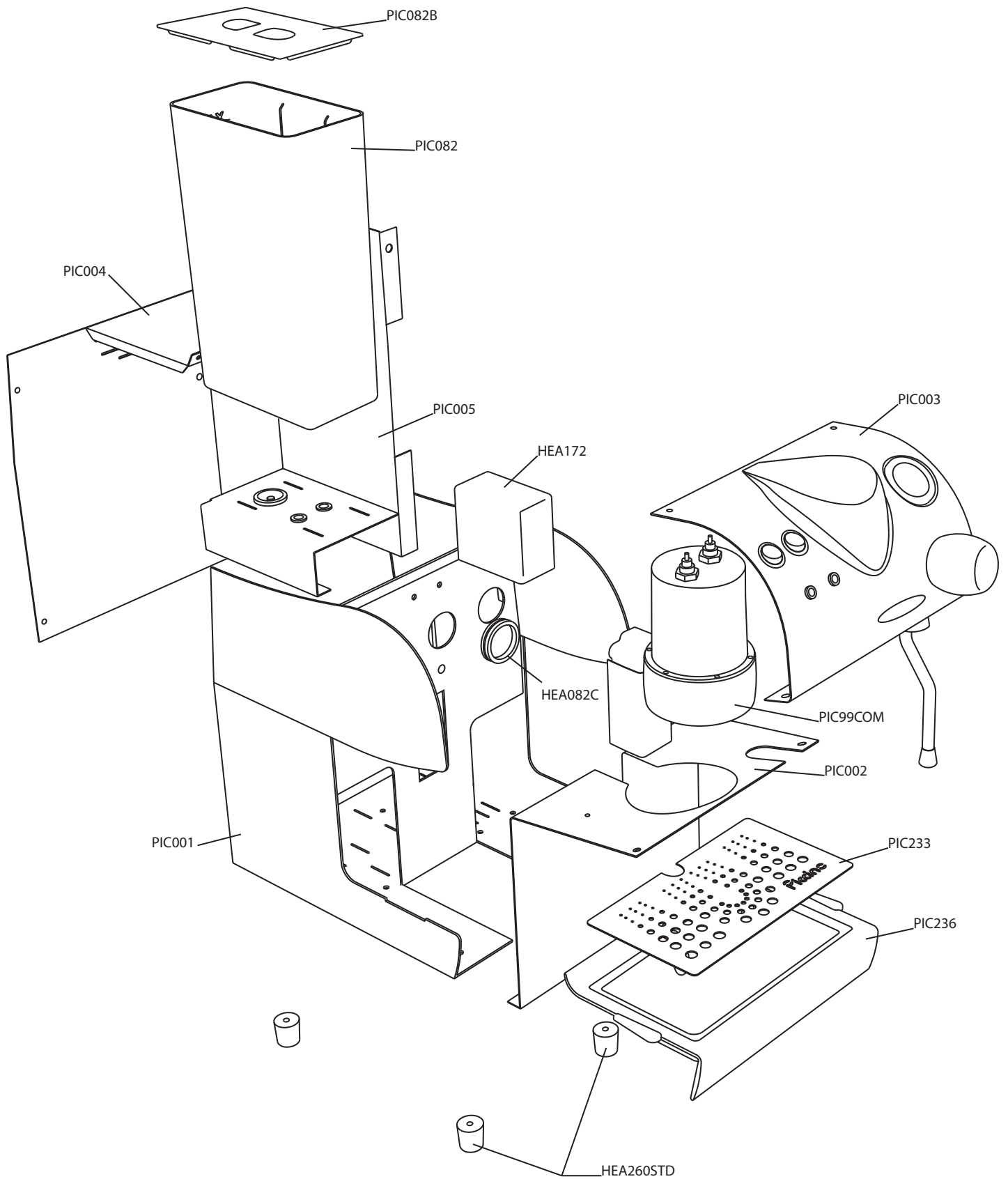
1. **Disconnect from mains power supply before removing any body panels or when replacing parts.**
2. Removing parts may void warranty.
3. Only use Fracino approved parts.
4. Servicing, maintenance and replacement of parts must only be carried out by qualified personnel.
5. Fracino cannot take responsibility for parts fitted incorrectly.
6. Fracino has a company policy of continuous improvement, we retain the right to change specification without prior notice.

Part No.	Part Description
	External Bodywork
PIC001	Chassis
PIC002	Front panel
PIC003	Top panel pressing
PIC004	Back panel
PIC005	Water tank housing
PIC082	3L Water tank
PIC082B	Water tank lid
HEA172	PCB control box
PIC236	Drip tray
PIC233	Drip tray grid
HEA082C	Grommet
HEA260STD	Heavenly/cherub rubber Feet
	Manifold Pump Assembly
CYB001/130mm	Inlet solenoid to steam boiler pipe
LG224	Vibration pump
LG224A	Pump rubber grommet
LG226A	Pump mounting bracket
HEA224	Spring clip for silicon tubing
PIC005A	Expansion tube strain relief
PIC223	Expansion tube
	Manifold
FC75C	Blank nut
FC138A	Manifold forged
FC178G	Adjustment screw
FC178B	Expansion valve spring
FC178FV2	Expansion valve jumper
FC180N	M20 lock nut
FC198	Pad washer
FC178G	Adjustment screw
FC178C	O-ring (expansion valve)
FC180ANT	Non return valve fitting
FC180BNT	Non return valve stem
FC180DNT	Non return valve spring
HEA136	Flexi hose braided s/s
HEA180A	O-Ring
LG178/DN	Expansion valve fitting with hose barb
PIC007	Manifold mounting bracket
PIC171COM	Complete inlet solenoid (inc Fittings)
	Steam Boiler

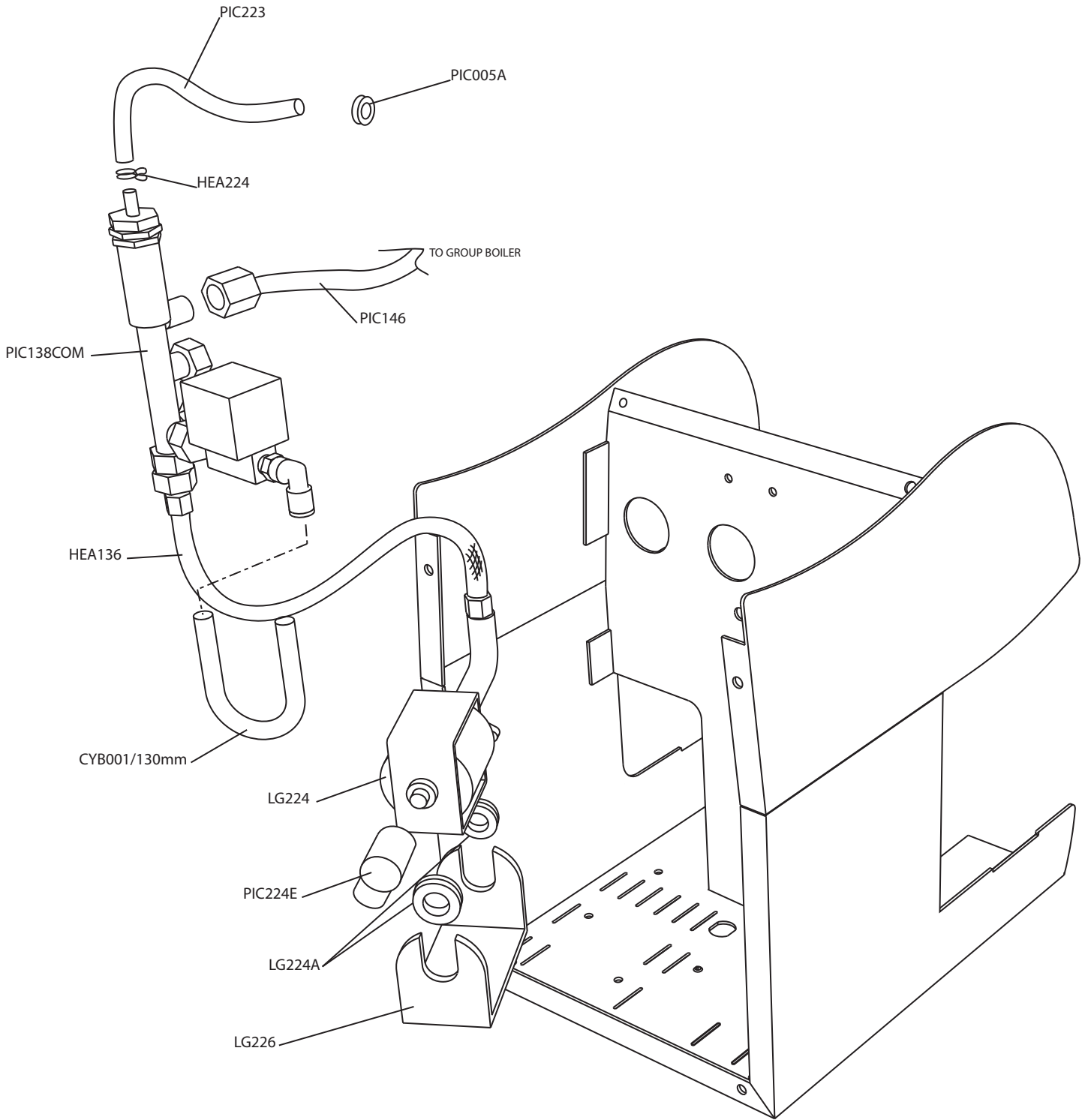
HEA66	125°C safety thermostat
FC95A	1/8" female to 1/8" male adapter
PIC006	Steam boiler mounting plate
PIC82	Steam boiler top
PIC83	Steam boiler bottom
PIC84	Steam boiler O-ring
FC75D	¼ " BSP locknut
FC182	Sight glass O-ring
FC135	Air release valve
PIC134	Steam boiler safety valve 1/8"BSP
PIC161	1.1KW boiler element
PIC169	Pressure switch
PIC191	Water level probe
CYB092	1/8" to 6mm quick connect elbow
	Group
FC71BS	1/8" to 1/4" fitting
FC75D	¼ " BSP locknut
FC95N	Exhaust fitting
FC103S	Shower plate screw
FC104/8.5	Filter holder washer (8.5mm thick)
FC103M	Shower plate
FC103S	Shower plate screw
FC111/A	Group Exhaust Nut
FC116	Solenoid base
FC119	Solenoid base screws
FC120	Solenoid base O-ring
FC121	Solenoid nucleus ruby
FC1214C	Coil lock nut
FC121/V	Solenoid nucleus kit
FC122	Solenoid outer case
FC124/1	Solenoid coil with cables 230V
FC124A	Coil washer
FC124B	Coil spring washer
FC167	M8 group nut
FC182	Sight glass O-ring
HEA66	125°C safety thermostat
PIC66	90°C +/-3 boiler cycling thermostat
PIC97	Group cowling
PIC99	Piccino group body
PIC99B	Boiler body
PIC99C	Group insulation side
PIC99D	Group insulation top
PIC101	Group gasket

PIC102	Group O-ring
PIC129	Group boiler dip tube
PIC146	Manifold to group inlet pipe
PIC161	1.1KW boiler element
PIC168	M8 star washer
PIC260	Grub screw M4x8.0
	Steam valve
PIC222A	Steam valve and tube assembly (complete)
PIC222A	Valve only
FC120	O-Rings valve stems
FC198	Pad washer
FC222A/03	Valve body
FC222G	Seal
FC222C	Spring (steam pipe)
FC221D	Steam/water tube retaining nut
FC221ES	Chrome plated ball
FC222E/M	'O' Ring
FC56R	Steam tube rubber sleeve
HEA196	Lock nut
HEA307A	Hand wheel curved sided (black)
HEA222R	Valve head and stem guide
HEA222V	Valve stem
HEA222VA	Valve dumper
HEA307C	D-Clip
HEA308	M4 Screen valve jumper
PIC194	Steam nozzle 2 hole
PIC222	Steam valve tube
UNI222F	S/S washer
UNI222FP	PTFE spacer top
	Front Panel
HEA179	Pressure gauge
HEA179A	Pressure gauge bracket
HEA179B	Lock nut
HEA196	Lock nut
HEA307A	Hand wheel curved sided (black)
HEA307C	D-Clip
PIC003	Front panel pressing
PIC003A	Domed resin label
PIC150	Steam boiler to steam valve pipe
PIC151	Steam boiler to pressure gauge pipe
PIC189	Main power round rocker switch with LED

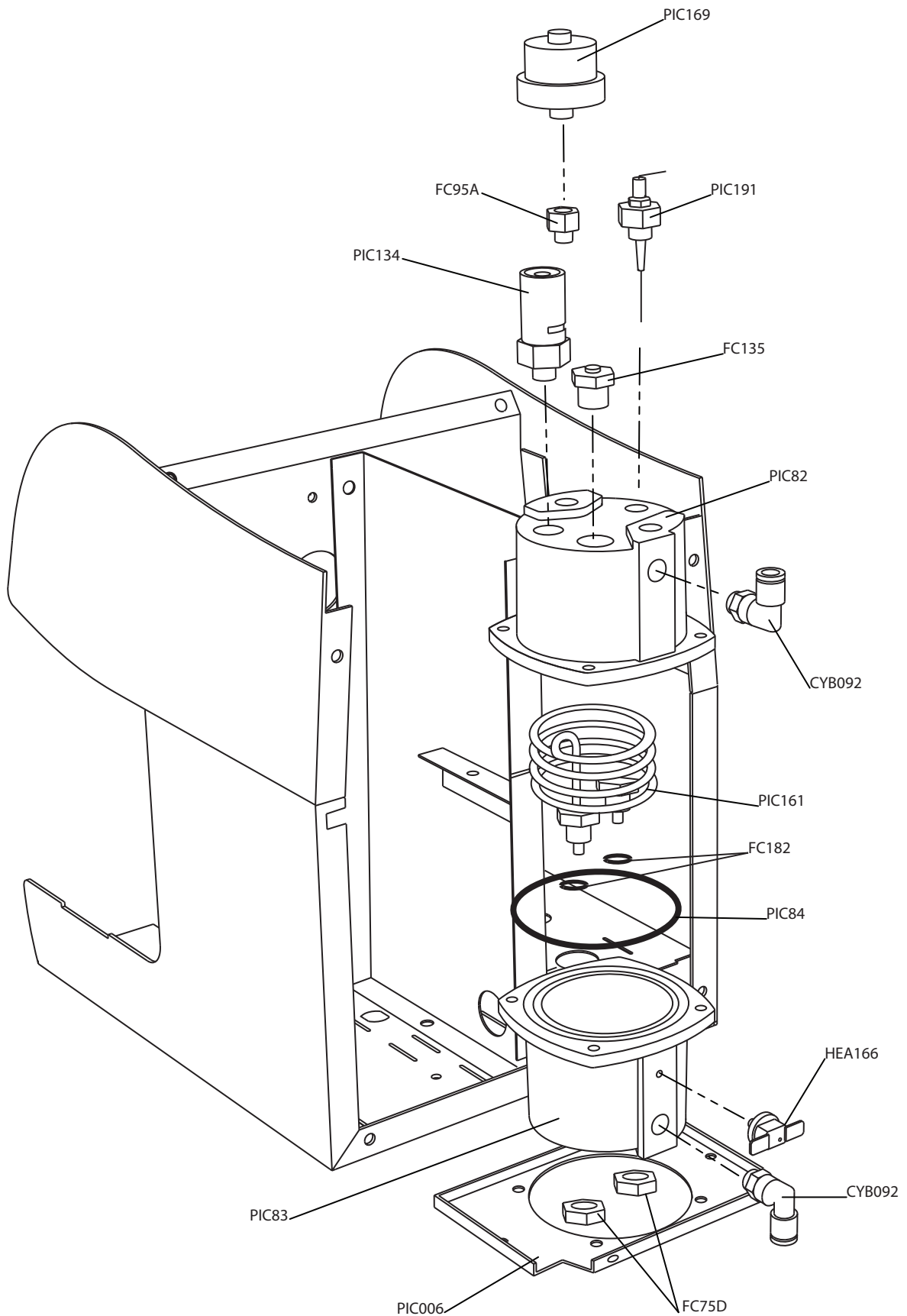
PIC189A	Group round rocker switch
PIC190	Blue indicator light
PIC222A	Steam valve complete
	Water Container Housing
FC135A	Sealing washer
FC116	Cable grommet
PIC082	3L water tank
PIC082B	Water container lid
PIC082C-1	Water tank valve piston - Female
PIC082C-2	Water tank valve piston - Male
PIC82D	Water tank conical spring
PIC82E	Water level probe connector casing
PIC82F	Water level probe spring
PIC82H	Water container connector silicon seal
PIC82I	Water container spigot
PIC082J	Water tank O – ring
PIC082K	Water level probe connectors
PIC223	Water tank to pump pipe
PIC224E	Rubber elbow
	Miscellaneous
FC158	13A Plug and mains wire
HEA157	Mains wire grommet
BRITAAQUAAROM ACREMA	Brita Filter
PIC160	Wiring harness



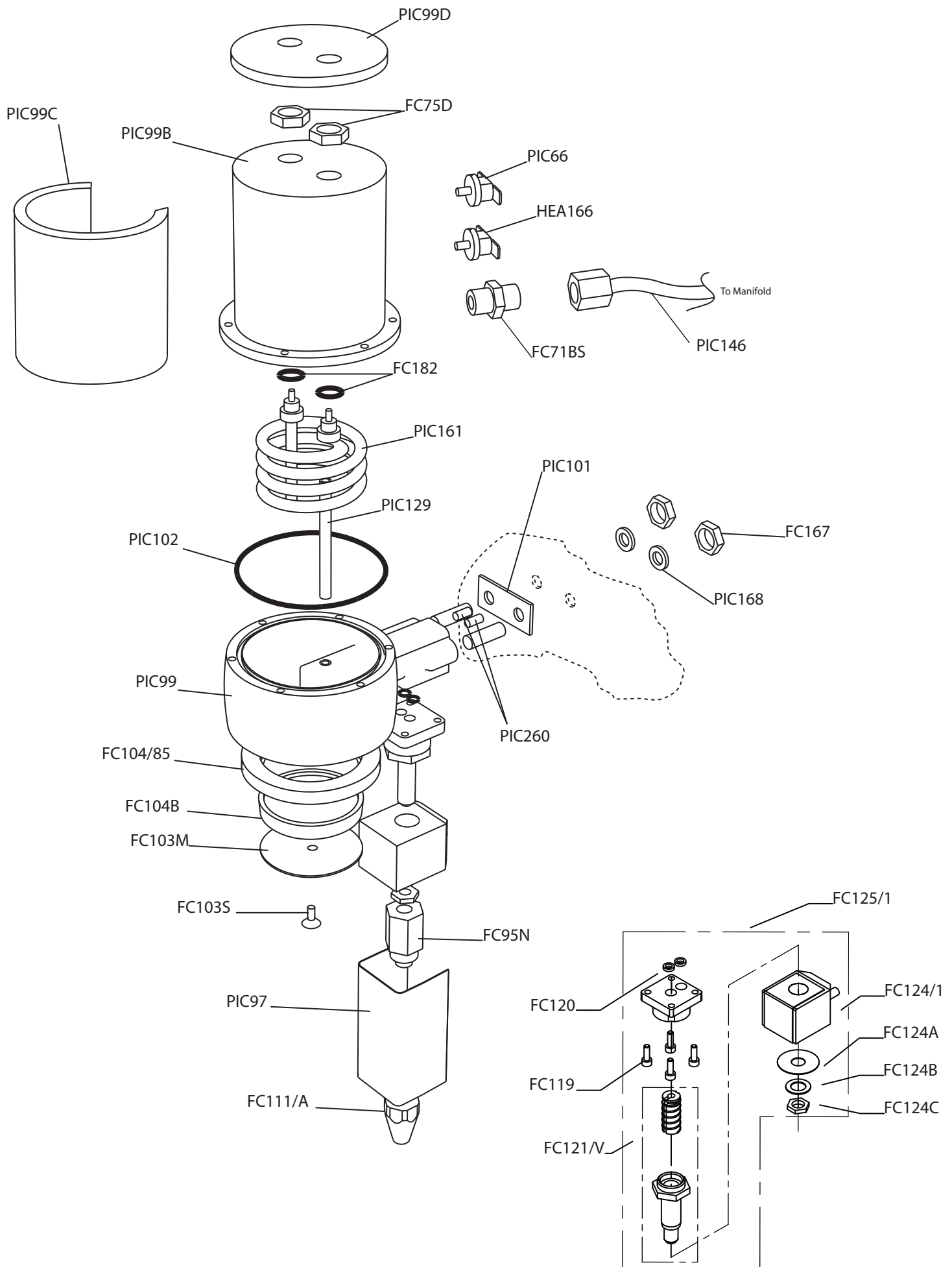
FIXINGS HAVE BEEN REMOVED FOR CLARITY



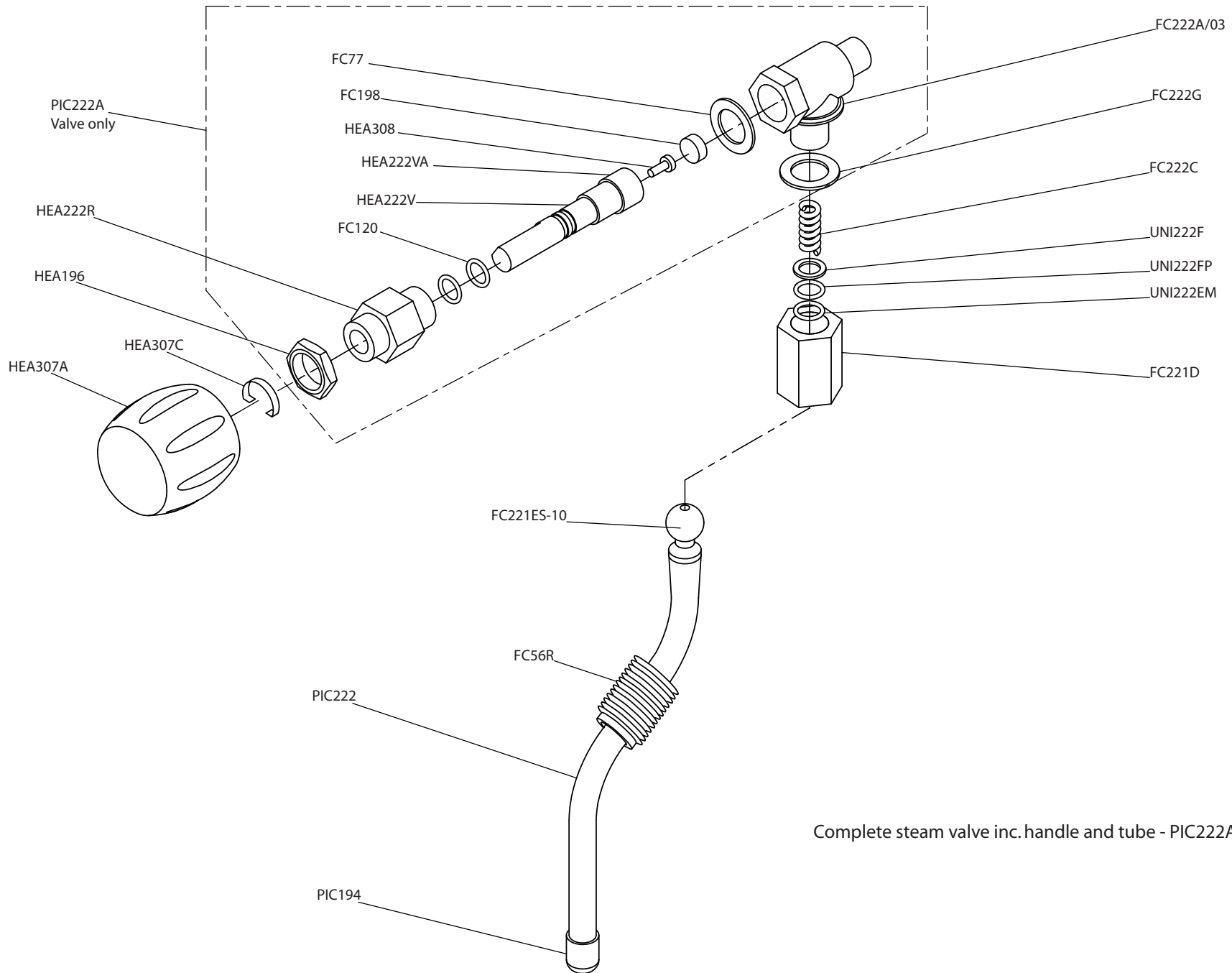
FIXINGS HAVE BEEN REMOVED FOR CLARITY

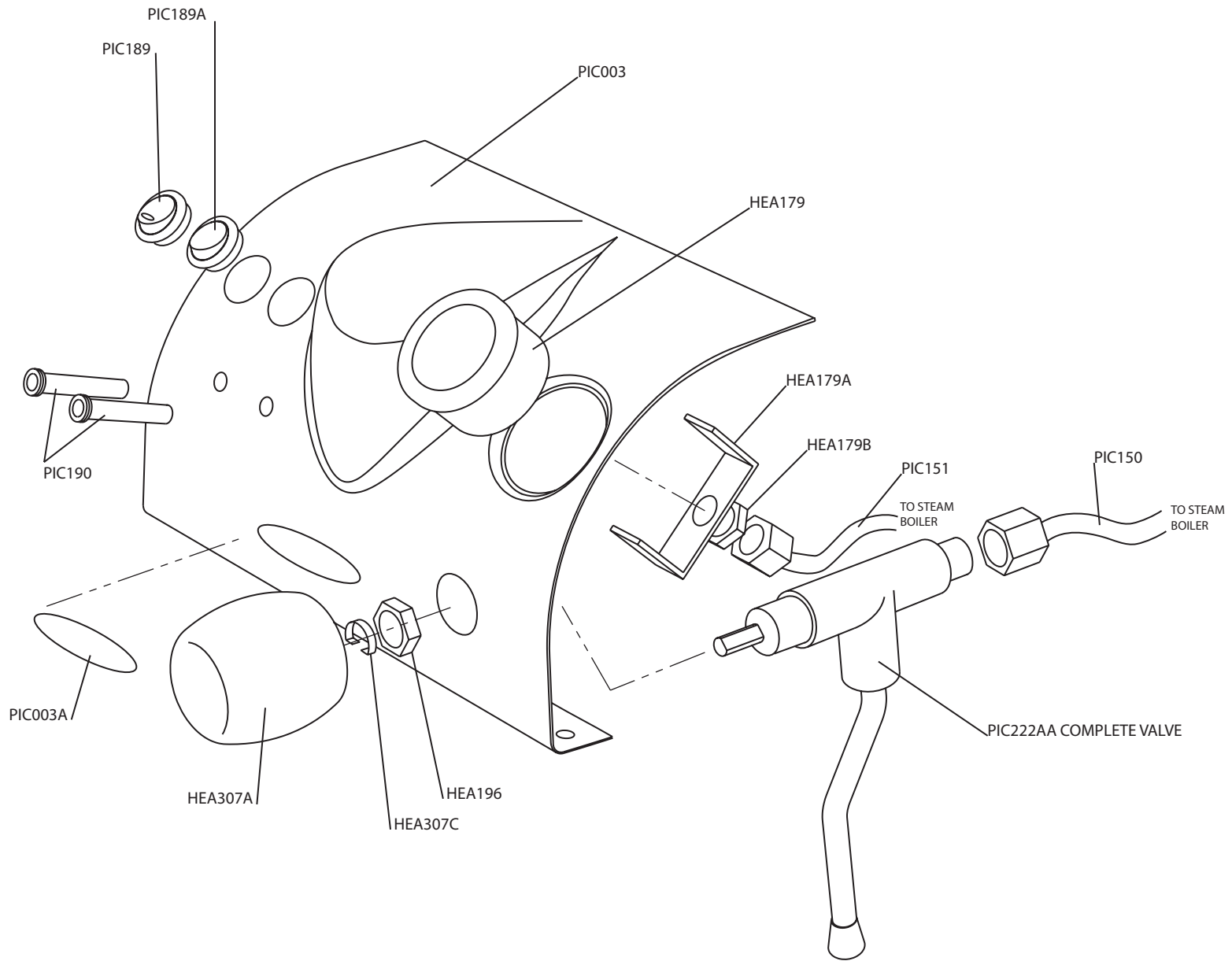


FIXINGS HAVE BEEN REMOVED FOR CLARITY

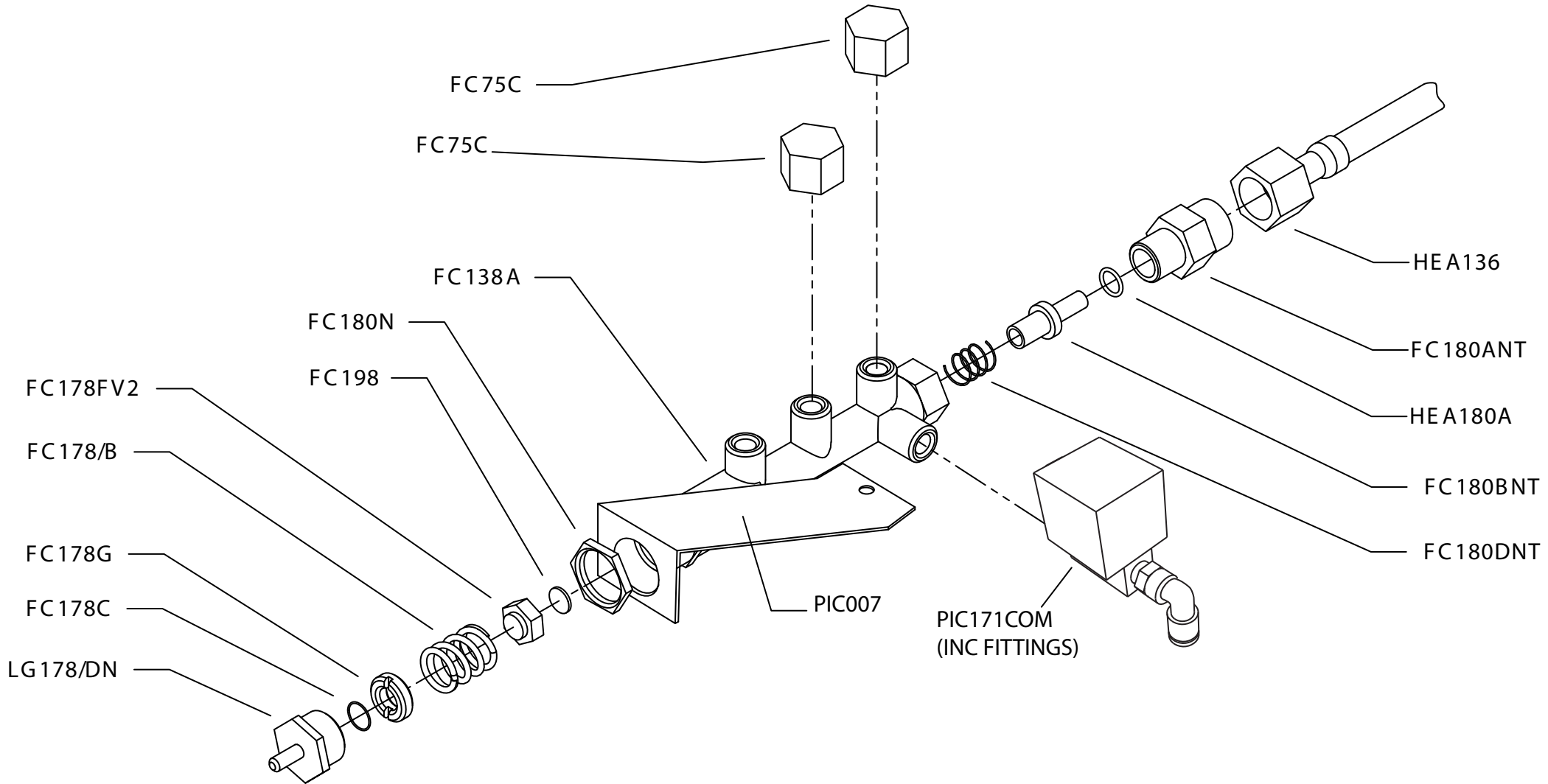


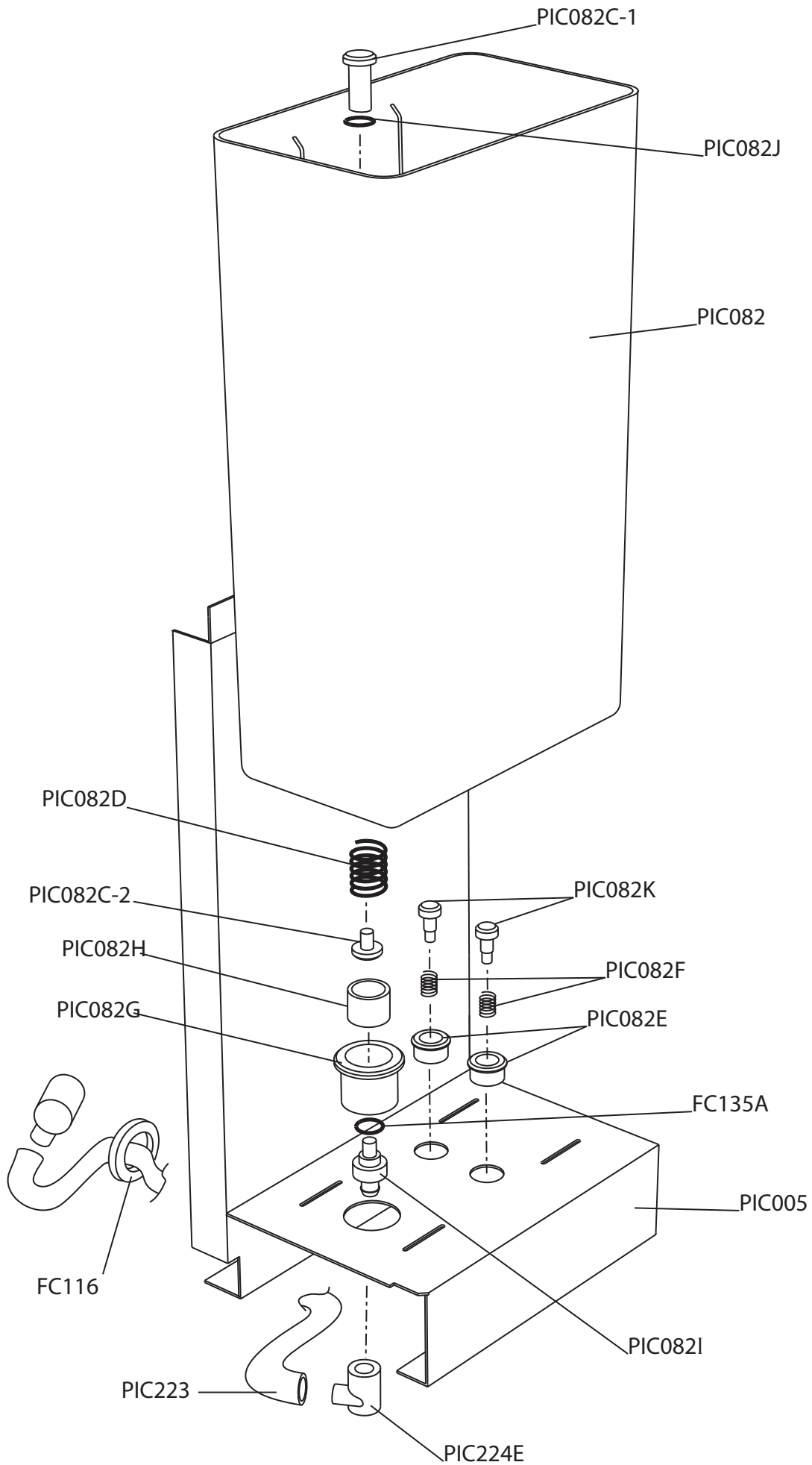
FIXINGS HAVE BEEN REMOVED FOR CLARITY





FIXINGS HAVE BEEN REMOVED FOR CLARITY





WATER CONTAINER HOUSING

