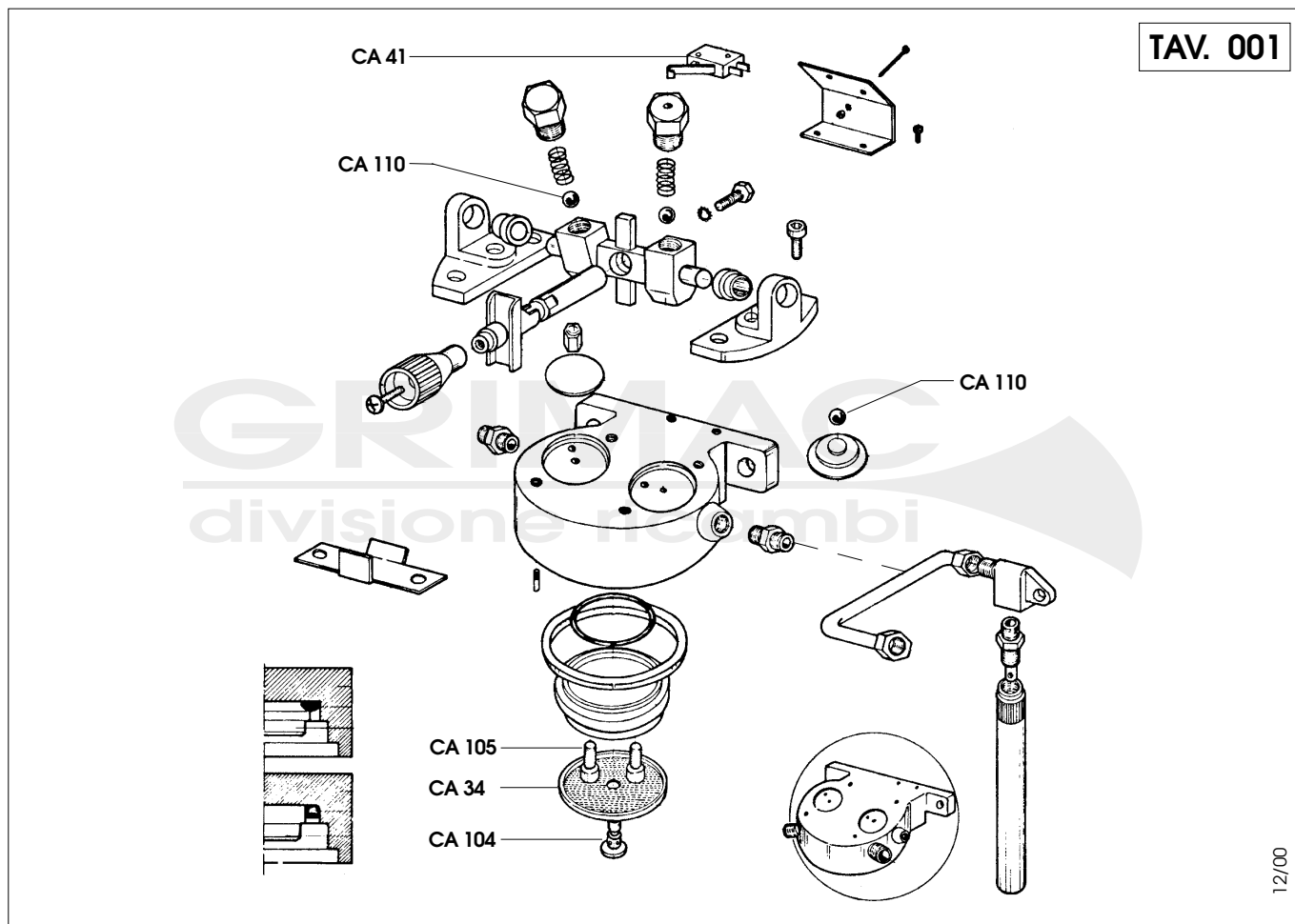


MASSELLO

TAV. 001



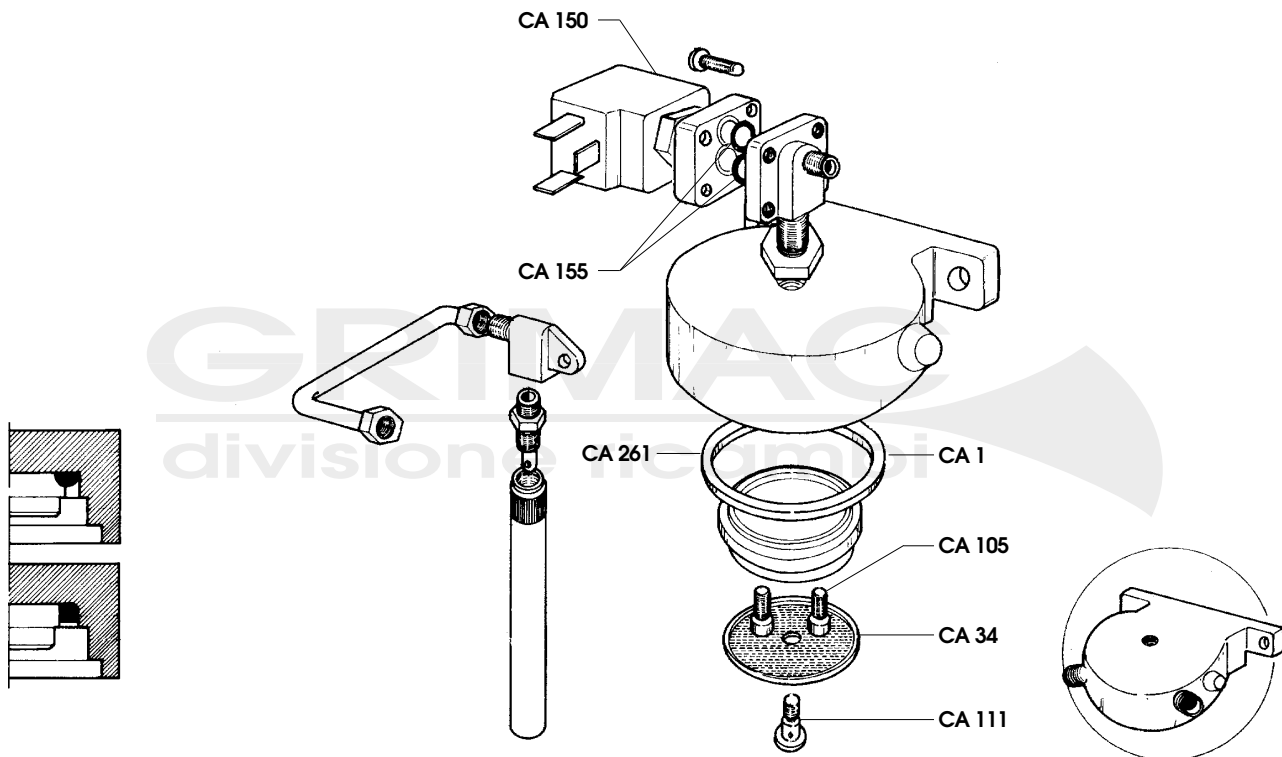
CA

12/00

CODICE CODES	DENOMINAZIONE	DENOMINATION	CODICE CODES	DENOMINAZIONE	DENOMINATION
CA/34	Doccia settebello e jolly	Settebello and jolly shower screen			
CA/41	Micro per selene	Unit microswitch			
CA/104	Vite fissaggio doccetta	Shower securing screw			
CA/105	Vite T.C. M6x12	Unit fixing screw			
CA/110	Sfera inox ø10	ø10 stainless steel ball			

GRUPPO LEVETTA

TAV. 002

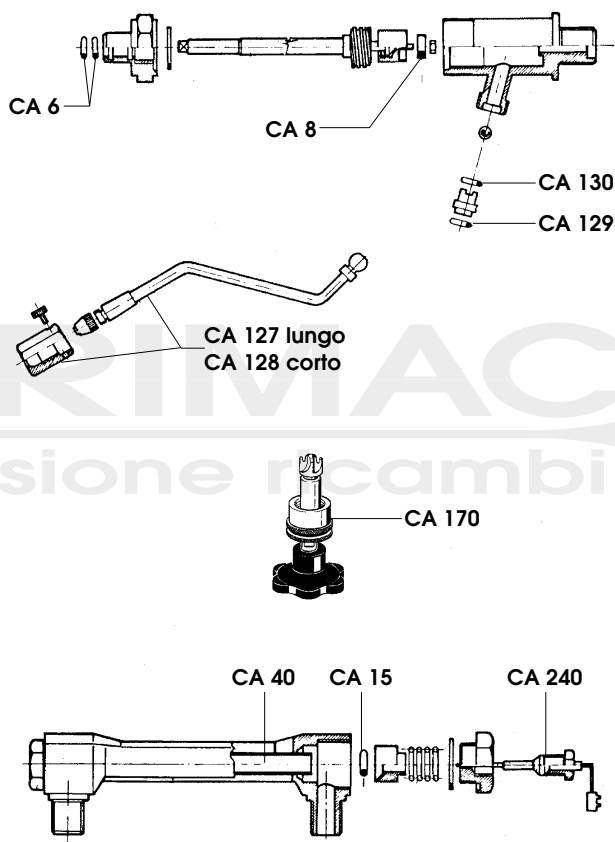


01/98

CODICE CODES	DENOMINAZIONE	DENOMINATION	CODICE CODES	DENOMINAZIONE	DENOMINATION
CA/1	Guarnizione porta filtro	Flat filter holder gasket			
CA/34	Doccia a rete	Shower screen			
CA/105	Vite fissaggio gruppo	Unit fixing screw			
CA/111	Vite fissaggio doccetta	Shower fixing screw			
CA/150	Elettrovalvola Lucifer 230V	Lucifer 230V solenoid valve			
CA/155	OR per elettrovalvola	O-ring for solenoid valve			
CA/261	Spessore portafiltro	Portafilter gasket shim			

RUBINETTI - FRESA

TAV. 003

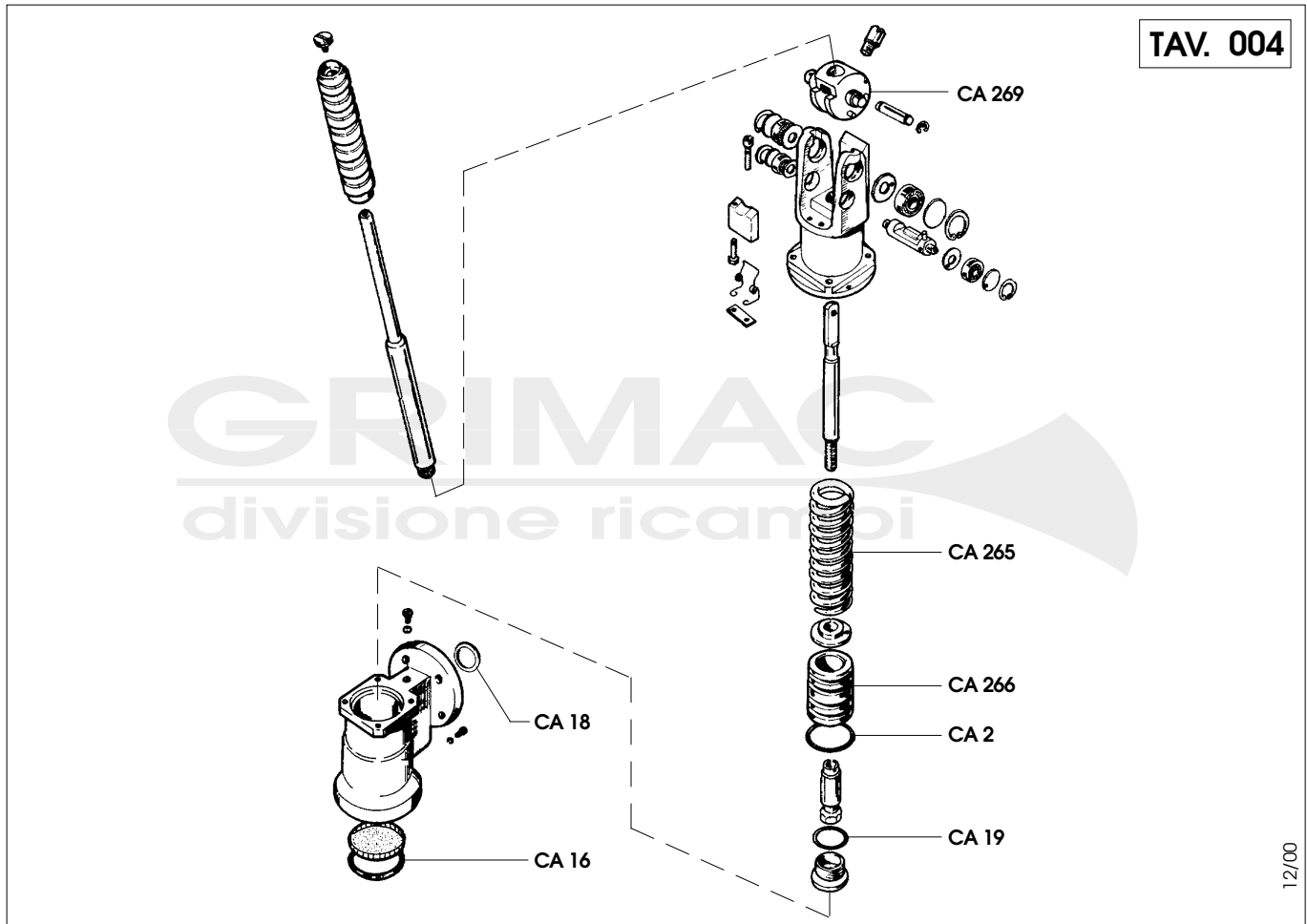


01/98

CA

CODICE CODES	DENOMINAZIONE	DENOMINATION	CODICE CODES	DENOMINAZIONE	DENOMINATION
CA/6	OR 110 per rubinetto	Tap 110 O-ring			
CA/8	Guarniz. vapore e rubinetto	Vapour and cock gasket			
CA/15	OR 112 per livello	O-ring 112 for level			
CA/40	Vetro livello con riga	10x136 level glass with marked line			
CA/127	Tubo vapore lungo	Long vapour pipe			
CA/128	Tubo vapore corto	Short vapour pipe			
CA/129	OR teflon snodo vapore	Vapour articulated joint teflon O-ring			
CA/130	OR 112 snodo vapore	Vapour articulated joint 112 O-ring			
CA/170	Fresa rubinetto vapore	Water and steam cock cutter			
CA/240	Sonda autolivello	Probe			

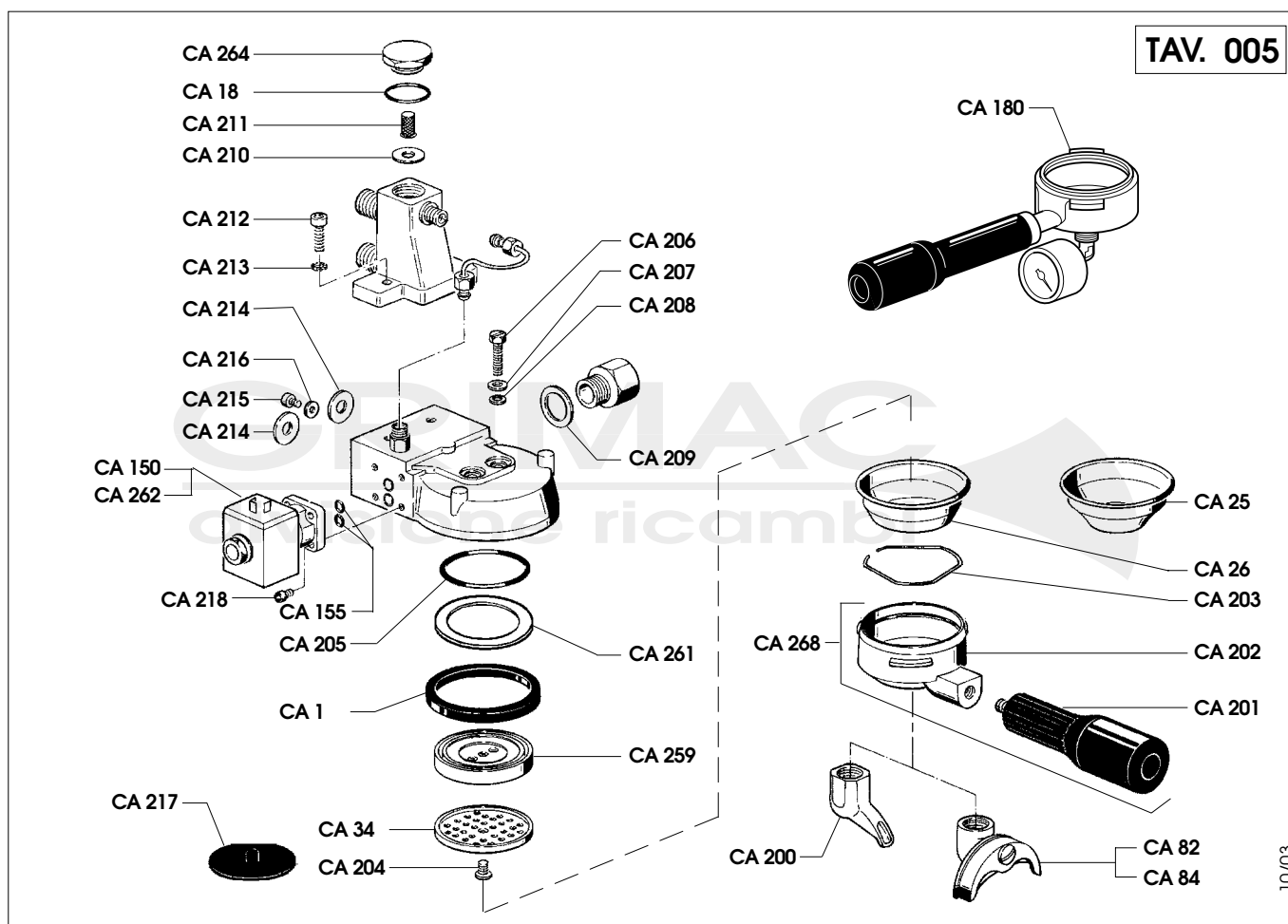
GRUPPO A LEVA



CODICE CODES	DENOMINAZIONE	DENOMINATION	CODICE CODES	DENOMINAZIONE	DENOMINATION
CA/2	OR 145 per pistone	145 O-ring for $\varnothing 40.65 \times 5.34$ piston			
CA/16	OR 157 per porta filtro	157 O-ring for filter holder			
CA/18	OR 2093 flangia gruppo	O-ring 2093 for group cap			
CA/19	OR 4112 tappo pistone	Piston cap lever 4112 O-ring			
CA/265	Molla gruppo	Piston spring			
CA/266	Pistone gruppo	Lever group piston			
CA/269	Camme gr. a leva	Lever unit cams			

GRUPPO - ELETTROVALVOLA - PORTAFILTRO

TAV. 005



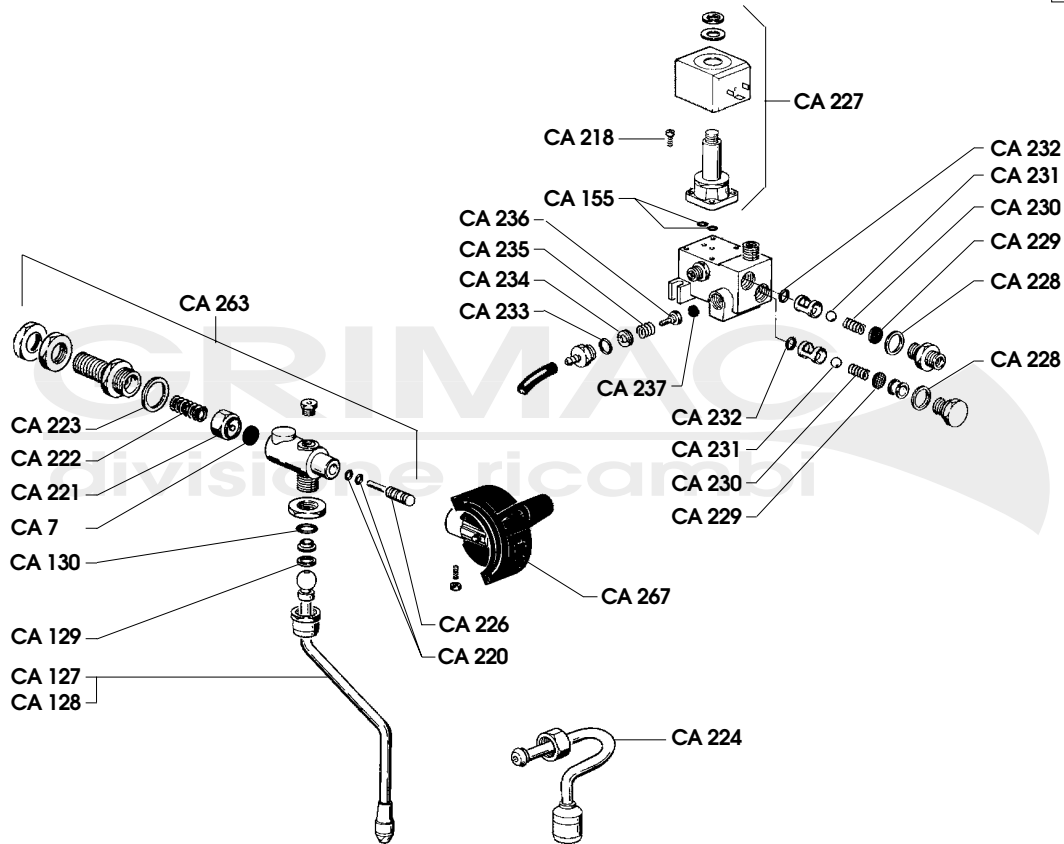
CA

10/03

CODICE CODES	DENOMINAZIONE	DENOMINATION	CODICE CODES	DENOMINAZIONE	DENOMINATION
CA/1	Guarnizione porta filtro	Flat filter holder gasket	CA/213	Rondella	"Systema" washer
CA/18	OR 2093 flangia gruppo	O-ring 2093 for group cap	CA/214	Guarnizione	"Systema" unit connect. non-toxic gasket
CA/25	Filtro 1 tazza 7 grammi	7 g. 1-cup filter	CA/215	Vite	Screw
CA/26	Filtro 2 tazze 14 grammi	14 g. 2-cup filter	CA/216	Rondella	"Systema" washer
CA/34	Doccia a rete	Shower screen	CA/217	Filtro cieco	"Systema" rubber filter
CA/82	Beccuccio 2 vie	2-way spout	CA/218	Vite	Solenoid valve securing screw
CA/84	Beccuccio 2 vie con divisore	2-way spout with divider	CA/259	Portadoccetta	Shower screen holder plate
CA/150	Elettrovalvola Lucifer V 230	Lucifer solenoid valve 230V	CA/261	Spessore portafiltro	Portafilter gasket shim
CA/155	OR	O-ring for solenoid valve	CA/262	Elettrovalvola Lucifer V 110	Solenoid valve Lucifer 110V
CA/180	Portafiltro prova pressione	Pressure test portafilter	CA/264	Tappo gruppo	Filter cap
CA/200	Beccuccio 1 via curvato	1-way bent spout	CA/268	Portafiltro completo	Complete portafilter
CA/201	Manopola porta filtro	Filter holder knob with systema fitting			
CA/202	Portafiltro	"Systema" filter hold body			
CA/203	Molla porta filtro	"Systema" filter hold spring			
CA/204	Vite doccetta	"Systema" gutter screw			
CA/205	OR	O-ring			
CA/206	Vite blocchetto	"Systema" gr. block screw			
CA/207	Rondella	"Systema" washer			
CA/208	Guarnizione	"Systema" fiber gasket			
CA/209	Guarnizione teflon	"Systema" teflon gasket			
CA/210	Rondella	"Systema" brass washer			
CA/211	Filtrino	"Systema" small filter			
CA/212	Vite	Infusor securing screw			

RUBINETTO - MASSELLO

TAV. 006

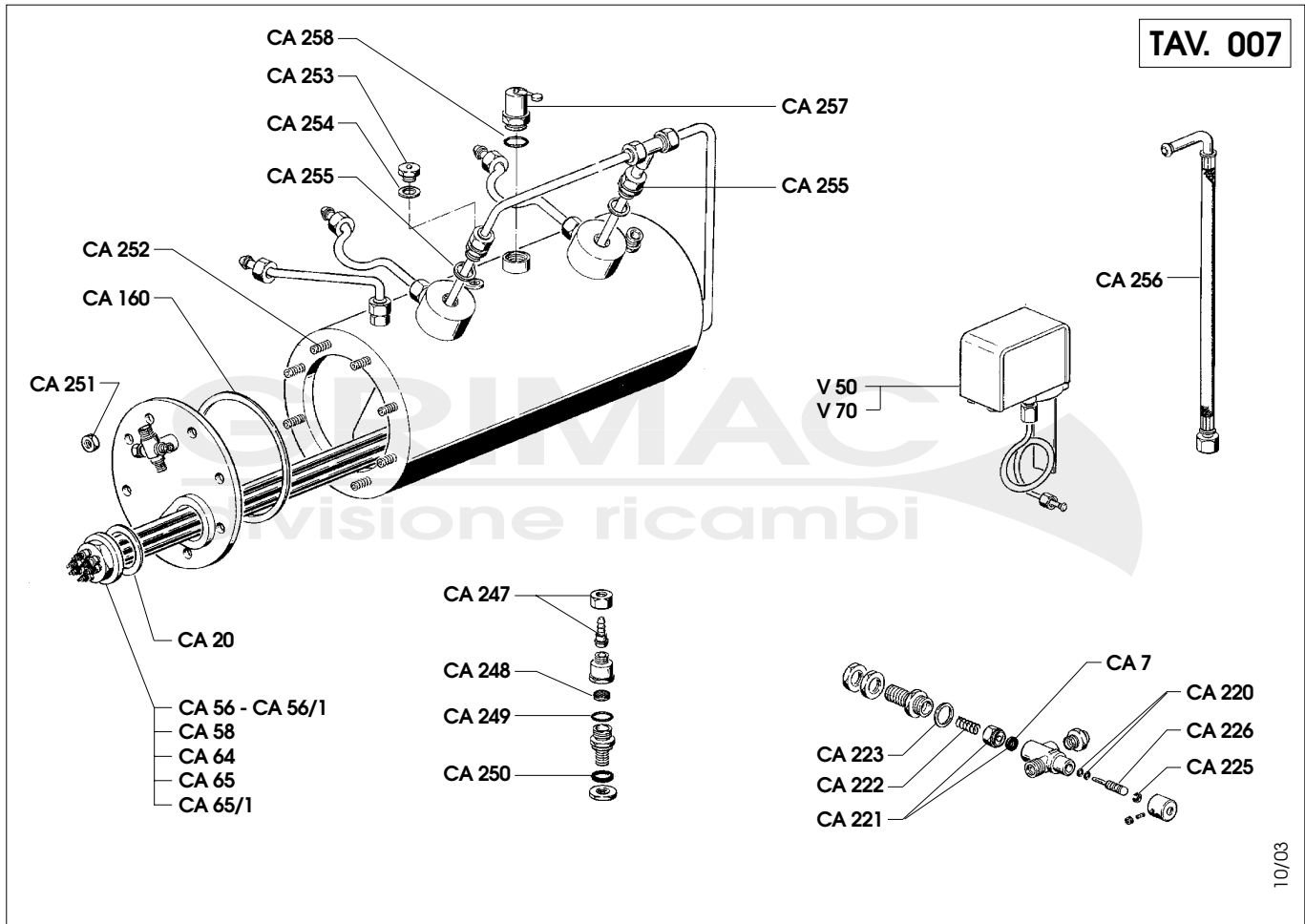


10/03

CODICE CODES	DENOMINAZIONE	DENOMINATION	CODICE CODES	DENOMINAZIONE	DENOMINATION
CA/7	Guarnizione valvola	Valve gasket	CA/237	Guarnizione scarico	"Systema" block exhaust gasket
CA/127	Tubo vapore lungo	Long steam pipe	CA/263	Rubinetto completo Systema	"Systema" complete water pipe/cup heater
CA/128	Tubo vapore corto	Short steam pipe	CA/267	Volantino completo Systema	Complete steam knob
CA/129	OR teflon	Steam articulated joint teflon O-ring			
CA/130	OR 112 Vyton	Steam articulated joint 112 O-ring			
CA/155	OR	O-ring for solenoid valve			
CA/218	Vite	Solenoid valve securing screw			
CA/220	OR	O-ring for "Systema" steam small piston			
CA/221	Portaguarnizione+guarniz.	"Systema" steam/water gasket holder			
CA/222	Molla	"Systema" steam gasket holder spring			
CA/223	Rondella	"Systema" steam copper washer			
CA/224	Tubo acqua calda	"Systema" hot water tube			
CA/226	Pistoncino	Water steam small piston			
CA/227	Elettrovalvola 2 vie Parker 230V	2-way 230V Parker solenoid valve			
CA/228	Rondella rame	"Systema" copper washer			
CA/229	Retina massello	"Systema" block net			
CA/230	Molla massello	"Systema" block spring			
CA/231	Sfera massello	"Systema" block ball			
CA/232	OR	"Systema" block O-ring			
CA/233	OR	Block exhaust O-ring			
CA/234	Ghiera ottone	"Systema" block brass ring nut			
CA/235	Molla scarico	"Systema" block exhaust spring			
CA/236	Portaguarnizione	"Systema" block gasket holder			

CALDAIA - PRESSOSTATO

TAV. 007



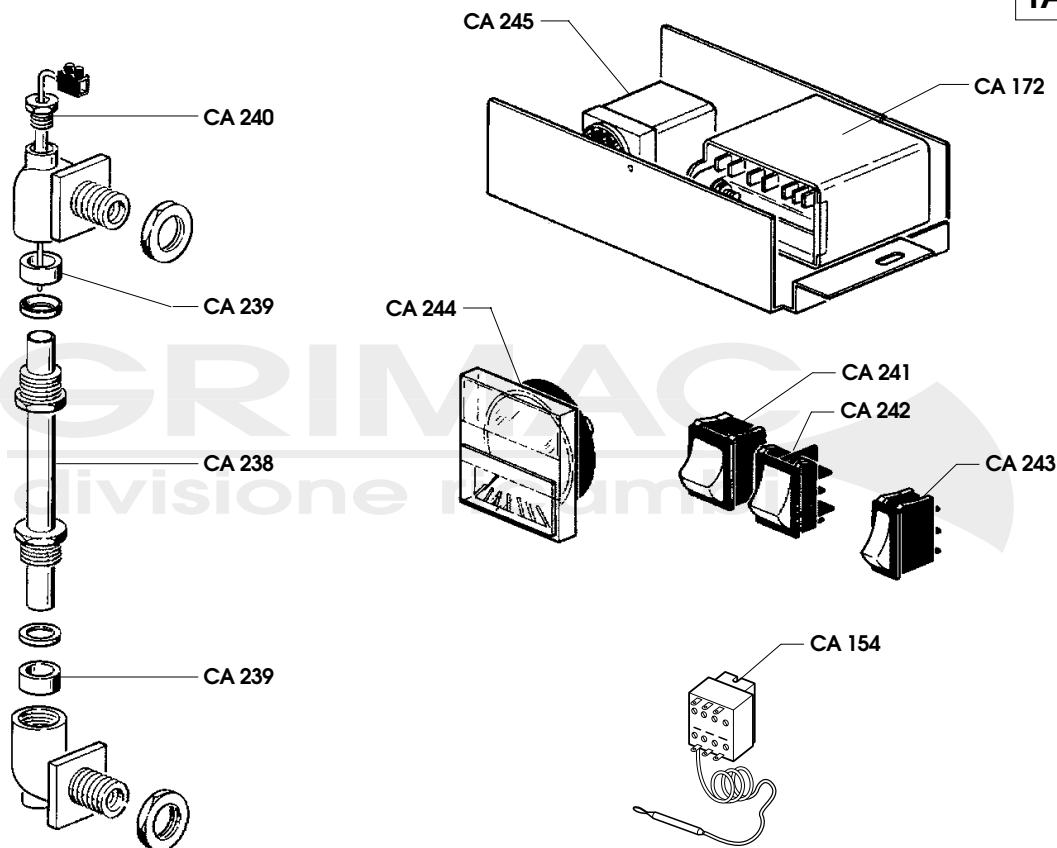
10/03

CA

CODICE CODES	DENOMINAZIONE	DENOMINATION	CODICE CODES	DENOMINAZIONE	DENOMINATION
CA/7	Guarnizione valvola	Valve gasket	CA/256	Tubo inox	Flexible tube for pump
CA/20	Guarnizione resistenza	Heating element gasket in teflon	CA/257	Valvola sicurezza	"Systema" boiler valve
CA/56	Resistenza W 3000 V 230/380	2 gr. heat. elem. 3000W 6-pole 230/380V	CA/258	OR	"Systema" boiler valve O-ring
CA56/1	Resistenza W 3000 V 110/60	2 gr. heat. elem. 3000W 110V	V/50	Pressostato Parker	Parker pressure switch
CA/58	Resistenza W 5000 V 230/380	3 gr. heat. elem. 5000W 6-pole 230/380V	V/70	Pressostato Sirai	Sirai pressure switch
CA/64	Resistenza W 2000 V 230	Coil heating element 2000W 230V			
CA/65	Resistenza W 1600 V 230 "Uno"	Heating element "Uno"			
CA/65/1	Resistenza W 1600 V 110	Heating element 1600W 110V			
CA/160	Guarniz. caldaia ø142x127x3	Boiler gasket ø142x127x3			
CA/220	OR	O-ring for "Systema" steam small piston			
CA/221	Portaguarnizione v/a	"Systema" steam/water gasket holder			
CA/222	Molla	"Systema" steam gasket holder spring			
CA/223	Rondella rame	"Systema" steam copper washer			
CA/225	Benzing	"Systema" piston benzing			
CA/226	Pistoncino	Water steam small piston			
CA/247	Dado e portagomma 3/8"	"Systema" nut and rubber holder			
CA/248	Filtrino	"Systema" small filter			
CA/249	OR valvola	Valve O-ring			
CA/250	Rondella	"Systema" steel washer			
CA/251	Dado	"Systema" boiler nut			
CA/252	Prigioniero	"Systema" boiler stud bolt			
CA/253	Valvola depressione 1/4"	"Systema" air valve			
CA/254	Guarnizione valvola	"Systema" air valve gasket			
CA/255	Guarnizione rame	"Systema" collector copper gasket			

PARTI ELETTRICHE - VETRO LIVELLO

TAV. 008



05/07

CODICE CODES	DENOMINAZIONE	DENOMINATION	CODICE CODES	DENOMINAZIONE	DENOMINATION
CA/154	Termostato di sicurezza resistenza corta	Thermostat			
CA/172	RL 30/1E/F 230V	RL 30/1E/F 230V			
CA/238	Vetro livello	"Systema" level glass			
CA/239	Guarnizione	"Systema" level gasket			
CA/240	Sonda	"Systema" level probe			
CA/241	Pulsante giallo	"Systema" yellow switch			
CA/242	Pulsante rosso	"Systema" red switch			
CA/243	Pulsante giallo piccolo	"Systema" small yellow switch			
CA/244	Manometro	"Systema" pressure gauge			
CA/245	Relè	Relay "Systema"			