



Spare parts for:

COFFEE GRINDERS

FAEMA

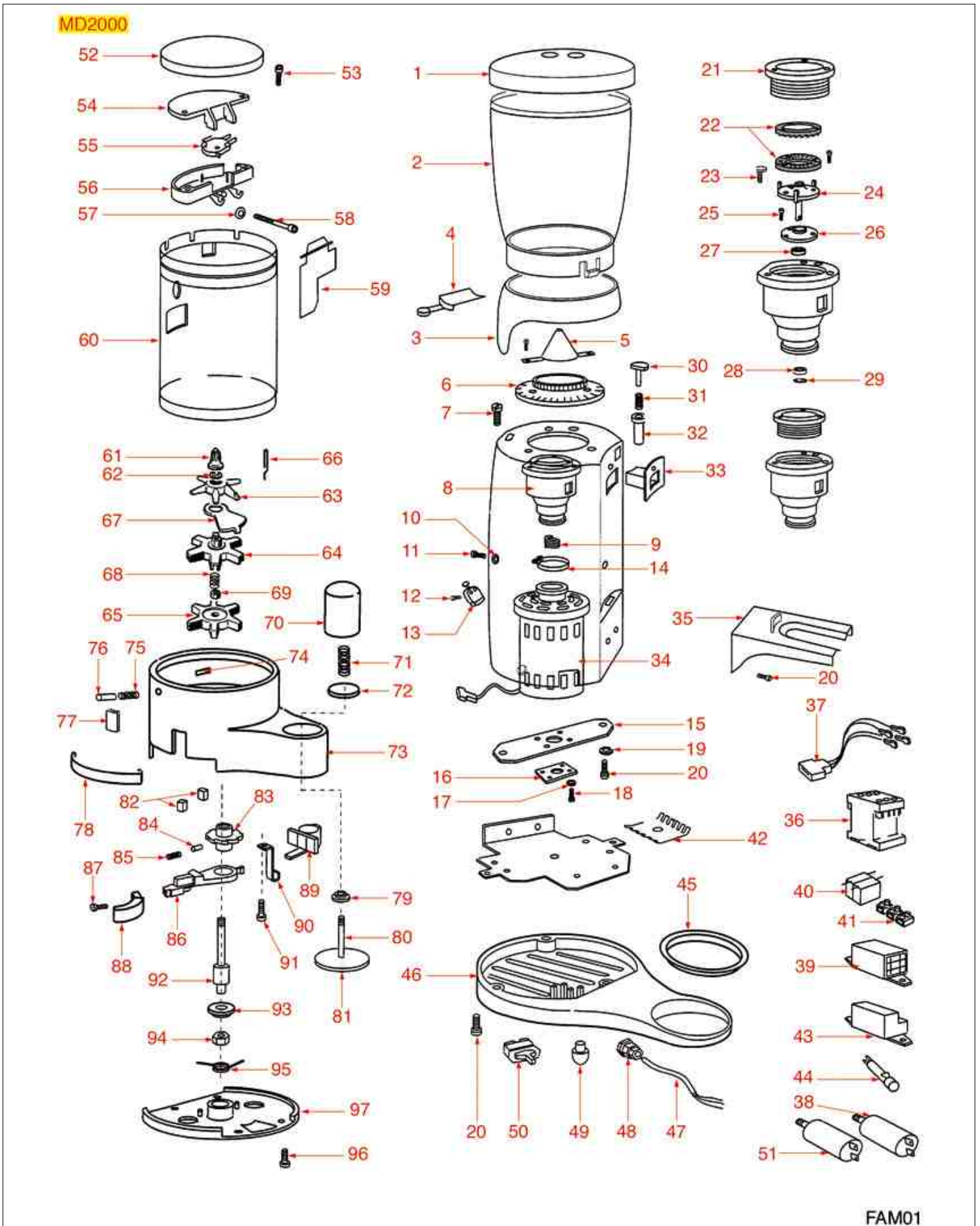
Important:

- this catalogue is automatically generated, therefore the sequence of the items might not be always shown at best
- updates will be issued in case of additions and/or amendments





COFFEE GRINDER/DOSER MD2000



FAM01

Positions without LF code no.: upon request



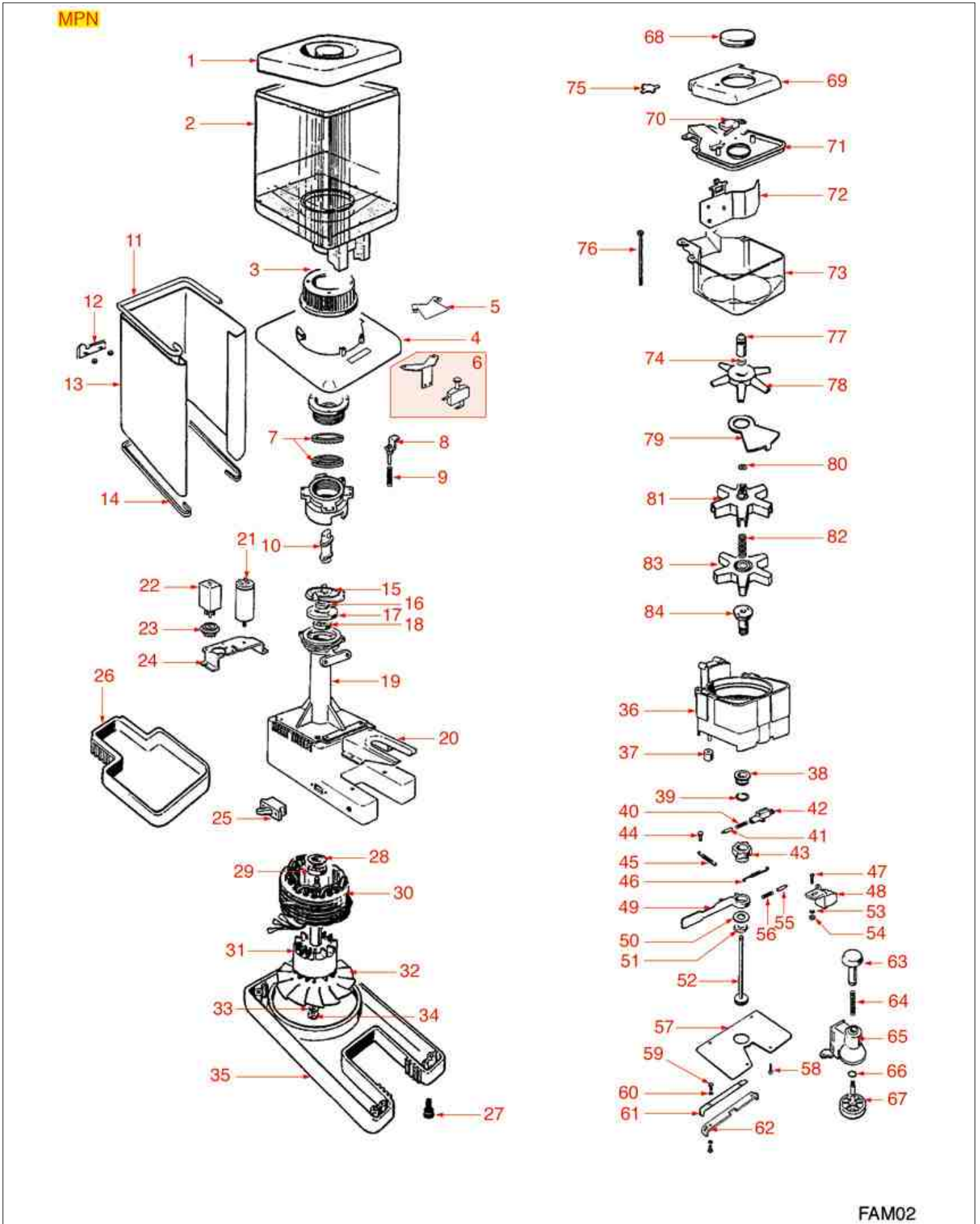
FAEMA



Position	LF code no.	Description
1	1252057	COFFEE HOPPER LID
2	1080012	COFFEE HOPPER
4	1252009	COFFEE HOPPER CLOSING SHEET
9	1250059	MOTOR PIN SPRING
22	1251046	GRINDING BURRS CIMBALI-FAEMA(PAIR) RIGHT
31	1250061	CLASP SPRING
38	3068016	CAPACITOR μ F 10 450V 50/60Hz
44	3221101	GREEN INDICATOR LAMP 230V
51	3068014	CAPACITOR μ F 8 450V 50/60Hz
52	1252020	DOSER LID
54	1252058	MICRO BOX LID
55	1240030	MICROSWITCH 110/230V
55	3240123	MICROSWITCH 16A 250V
56	1252059	MICRO BOX
59	1252010	MICRO OPERATION FLAP
60	1252382	DOSER CYLINDER
61	1241052	DOSE ADJUSTMENT KNOB
66	1252065	SCRAPER FOR COFFEE DOSER
67	1252200	DOSER SHEET
68	1250035	SPRING \varnothing 11x50 mm
71	1250060	COFFEE TAMPER SPRING \varnothing 13x73 mm
75	1250061	CLASP SPRING
83	1252021	PAWL GEAR 6 TEETH
84	1250036	CLASP \varnothing 5x16 mm
85	1250061	CLASP SPRING
95	1250033	DOSER LEVER RETURN SPRING LEFTHAND
95	1250062	DOSER LEVER RETURN SPRING



COFFEE GRINDER/DOSER MPN



FAM02

Positions without LF code no.: upon request



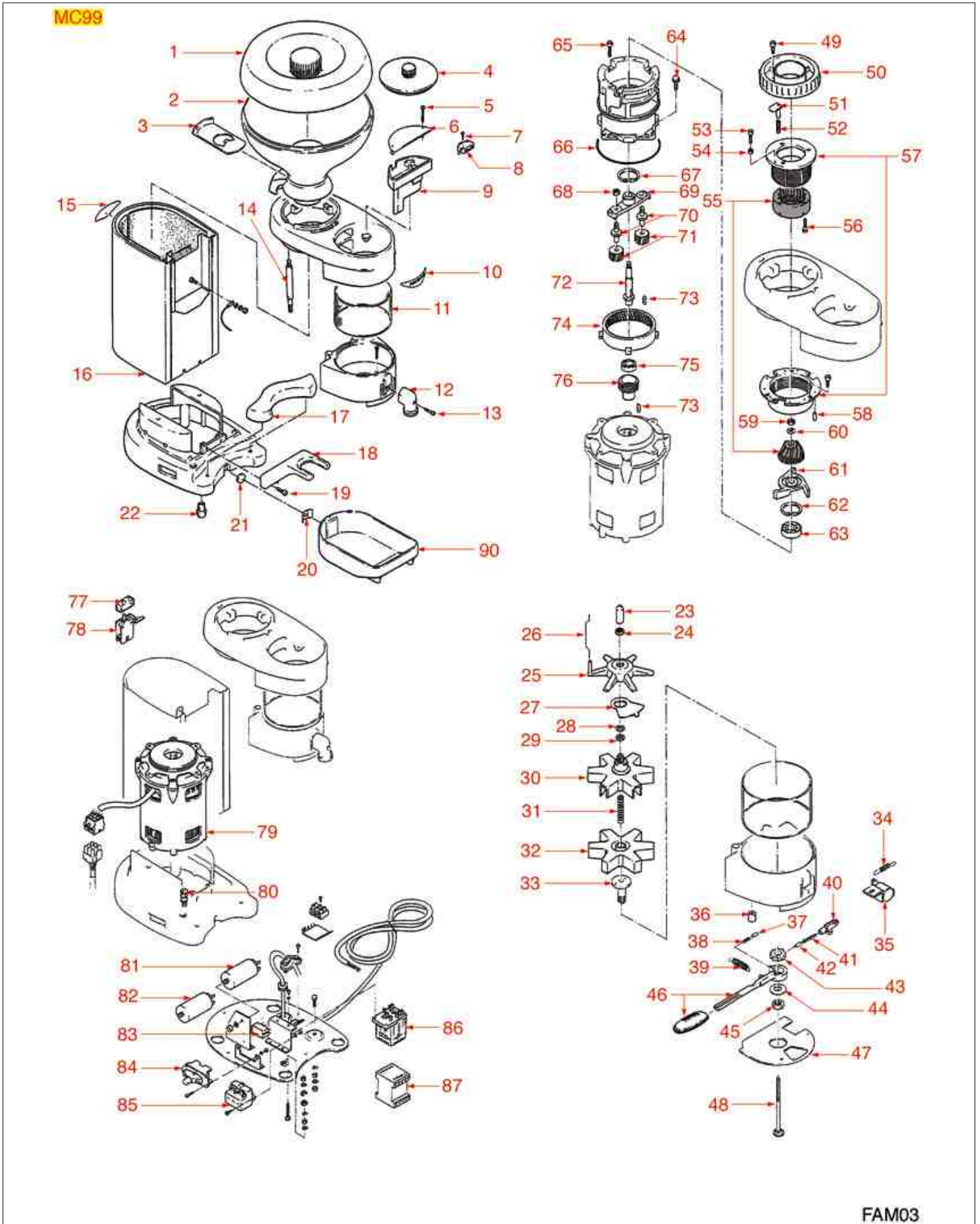
FAEMA



Position	LF code no.	Description
1	1252005	COFFEE HOPPER LID
1	1252104	COFFEE HOPPER LID
2	1080001	COFFEE HOPPER
2	1080030	COFFEE HOPPER
7	1251041	GRINDING BURRS CIMBALI-FAEMA (PAIR) RH
8	1252008	ADJUSTMENT PIN
9	1250034	SPRING \varnothing 8x25 mm
21	3068019	CAPACITOR μ F 12,5 450V 50/60Hz
25	1319117	BIPOLAR LEVER SWITCH 15A 250V
26	1260010	COFFEE COLLECTING TRAY
36	1252111	DISPENSER BLACK CASE
40	1250031	CLAPS SPRING \varnothing 5x24 mm
41	1250038	CLASP \varnothing 5x18 mm
43	1252330	COFFEE GRINDER/DOSER PAWL
45	1250032	LEVER RETURN SPRING \varnothing 9x50 mm
46	1250069	STROKE COUNTER SPRING
48	1252308	COUNTER FOR COFFEE GRINDER
49	1252362	DOSER LEVER
55	1250038	CLASP \varnothing 5x18 mm
56	1250031	CLAPS SPRING \varnothing 5x24 mm
64	1250037	COFFEE TAMPER SPRING \varnothing 10x60 mm
70	1240806	MICROSWITCH 12A 250V
79	1252200	DOSER SHEET
81	1343026	MIDDLE STAR
82	1250035	SPRING \varnothing 11x50 mm
83	1343023	BOTTOM STAR



COFFEE GRINDER/DOSER MC99



FAM03

Positions without LF code no.: upon request



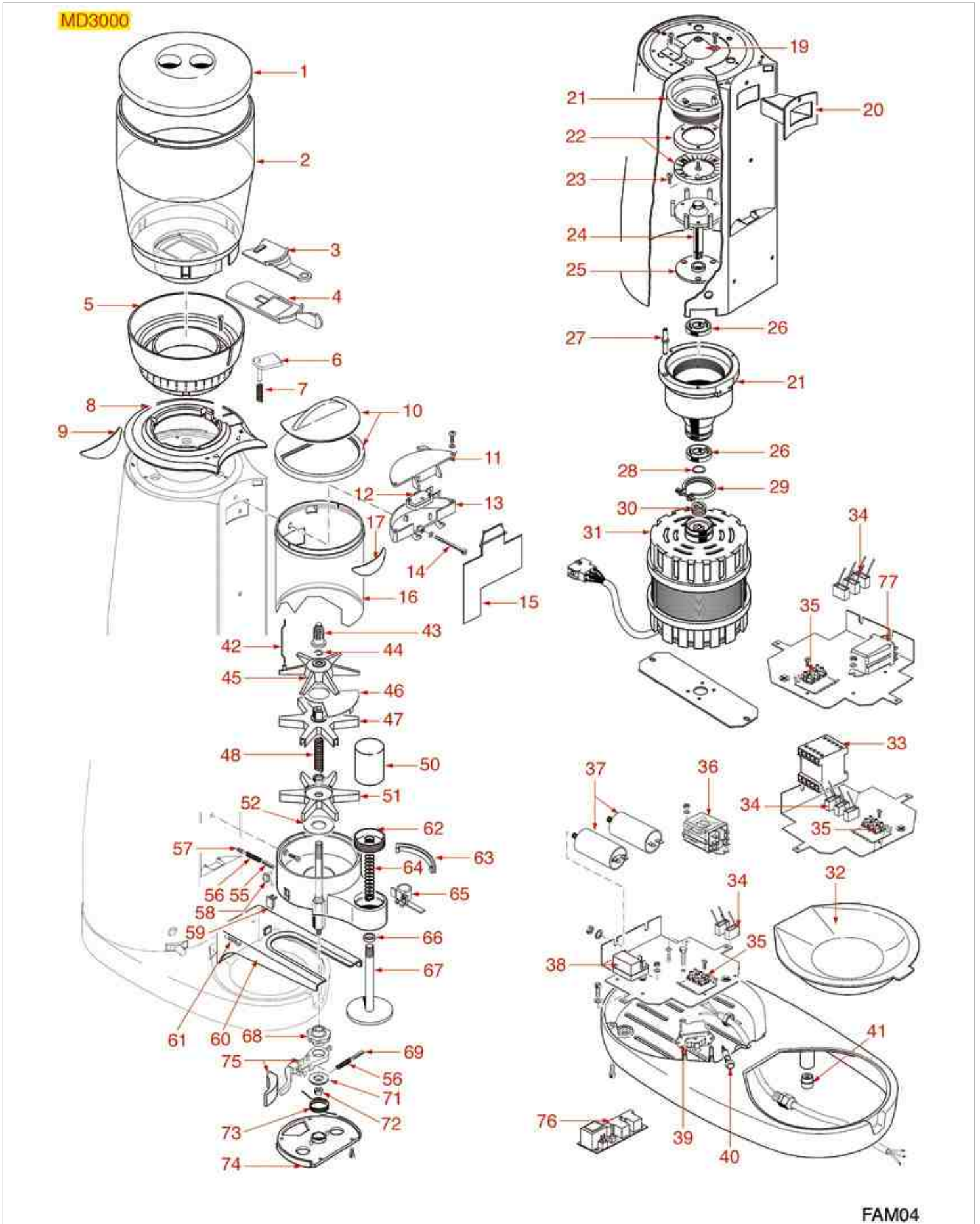
FAEMA



Position	LF code no.	Description
1	1252006	COFFEE HOPPER LID
2	1080002	COFFEE HOPPER
3	1252019	COFFEE HOPPER CLOSING SHEET
4	1252007	DOSER LID
6	1252294	MICROSWITCH BOX LID
8	3240123	MICROSWITCH 16A 250V
9	1252070	SUPPORT FOR MICRO
11	1252192	DOSER CYLINDER
18	1252077	FILTER HOLDER FORK
23	1252318	LOCKING RING NUT
25	1343020	TOP STAR
26	1252065	SCRAPER FOR COFFEE DOSER
27	1252200	DOSER SHEET
30	1343026	MIDDLE STAR
31	1250035	SPRING \varnothing 11x50 mm
32	1343023	BOTTOM STAR
34	1250069	STROKE COUNTER SPRING
35	1252308	COUNTER FOR COFFEE GRINDER
37	1250038	CLASP \varnothing 5x18 mm
38	1250031	CLAPS SPRING \varnothing 5x24 mm
39	1250032	LEVER RETURN SPRING \varnothing 9x50 mm
41	1250031	CLAPS SPRING \varnothing 5x24 mm
42	1250038	CLASP \varnothing 5x18 mm
43	1252330	COFFEE GRINDER/DOSER PAWL
46	1225021	DOSER LEVER
50	1252383	GRINDING ADJUSTMENT RING NUT
51	1252384	LOCKING PIN
52	1250034	SPRING \varnothing 8x25 mm
55	1251045	GRINDING BURRS FAEMA CONICAL (PAIR) RH
61	1251034	BOTTOM BURRS HOLDER IMPELLER
78	1240007	MICROSWITCH 16A 250V
80	1221006	GREEN INDICATOR LAMP 250V
81	3068019	CAPACITOR μ F 12,5 450V 50/60Hz
82	3068024	CAPACITOR μ F 16 450V 50/60Hz
90	1252367	COFFEE COLLECTION TRAY



COFFEE GRINDER/DOSER MD3000



Positions without LF code no.: upon request



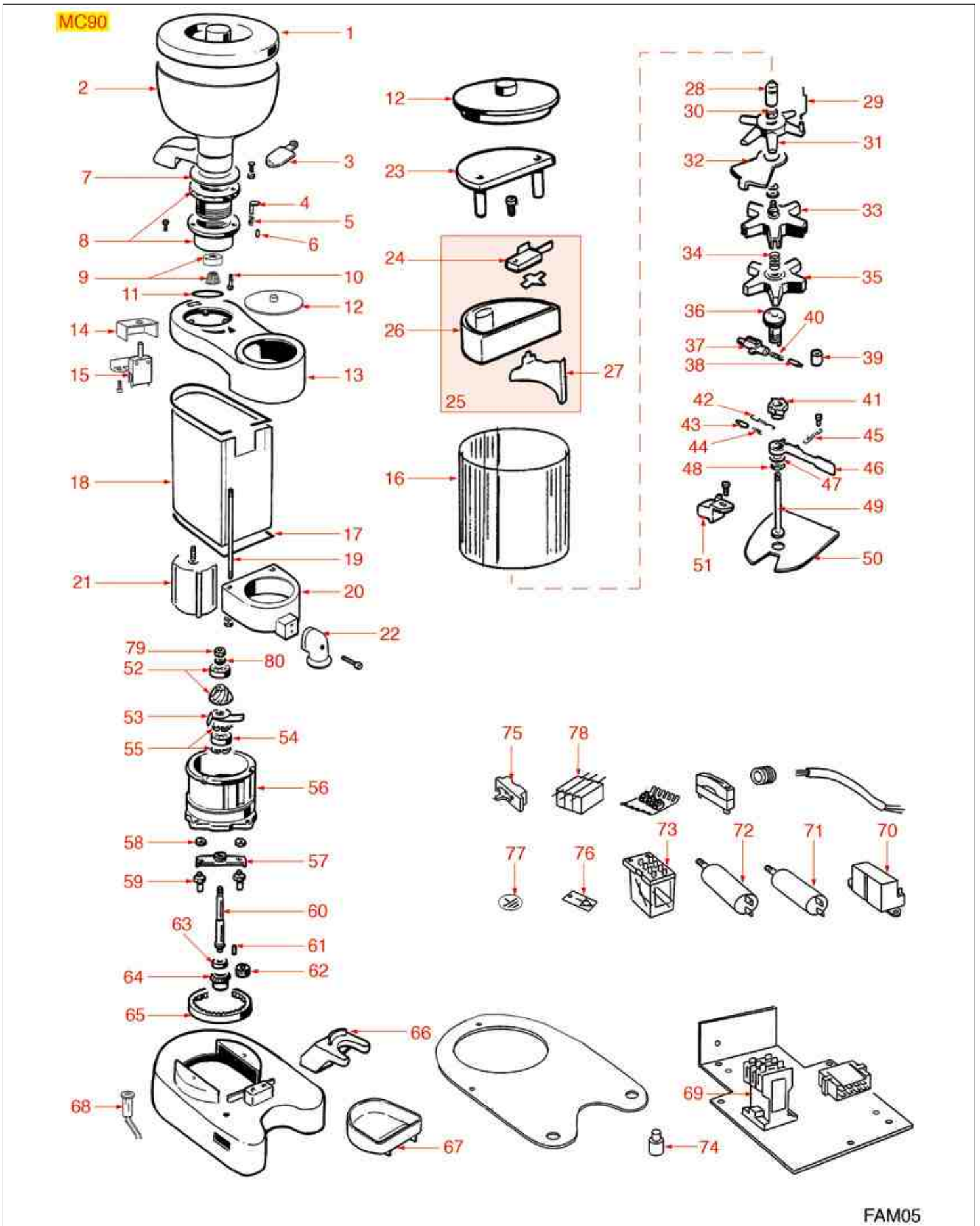
FAEMA



Position	LF code no.	Description
1	1252057	COFFEE HOPPER LID
2	1080012	COFFEE HOPPER
3	1252009	COFFEE HOPPER CLOSING SHEET
7	1250061	CLASP SPRING
10	1252020	DOSER LID
11	1252058	MICRO BOX LID
12	3240123	MICROSWITCH 16A 250V
13	1252059	MICRO BOX
15	1252010	MICRO OPERATION FLAP
22	1251015	GRINDING BURRS CIMBALI-FAEMA (PAIR) RH
30	1250059	MOTOR PIN SPRING
36	3351008	RELAY 62.83 16A 230V 50/60Hz
37	3068014	CAPACITOR μ F 8 450V 50/60Hz
39	1319117	BIPOLAR LEVER SWITCH 15A 250V
40	3221101	GREEN INDICATOR LAMP 230V
42	1252065	SCRAPER FOR COFFEE DOSER
43	1241052	DOSE ADJUSTMENT KNOB
48	1250035	SPRING \varnothing 11x50 mm
56	1250061	CLASP SPRING
64	1250060	COFFEE TAMPER SPRING \varnothing 13x73 mm
68	1252021	PAWL GEAR 6 TEETH
69	1250036	CLASP \varnothing 5x16 mm
73	1250033	DOSER LEVER RETURN SPRING LEFTHAND
73	1250062	DOSER LEVER RETURN SPRING



GRINDER ASSEMBLY MC90



FAM05

Positions without LF code no.: upon request



FAEMA



Position	LF code no.	Description
1	1252006	COFFEE HOPPER LID
2	1080047	COFFEE HOPPER
4	1252361	LOCKING PIN
5	1250034	SPRING \varnothing 8x25 mm
9	1251045	GRINDING BURRS FAEMA CONICAL (PAIR) RH
12	1252007	DOSER LID
15	1240007	MICROSWITCH 16A 250V
16	1252192	DOSER CYLINDER
23	1252294	MICROSWITCH BOX LID
24	3240123	MICROSWITCH 16A 250V
25	1252070	SUPPORT FOR MICRO
28	1252318	LOCKING RING NUT
29	1252065	SCRAPER FOR COFFEE DOSER
31	1343020	TOP STAR
32	1252200	DOSER SHEET
33	1343026	MIDDLE STAR
34	1250035	SPRING \varnothing 11x50 mm
35	1343023	BOTTOM STAR
38	1250038	CLASP \varnothing 5x18 mm
40	1250031	CLAPS SPRING \varnothing 5x24 mm
41	1252330	COFFEE GRINDER/DOSER PAWL
42	1250069	STROKE COUNTER SPRING
43	1250038	CLASP \varnothing 5x18 mm
44	1250031	CLAPS SPRING \varnothing 5x24 mm
45	1250032	LEVER RETURN SPRING \varnothing 9x50 mm
46	1252362	DOSER LEVER
51	1252308	COUNTER FOR COFFEE GRINDER
52	1251045	GRINDING BURRS FAEMA CONICAL (PAIR) RH
53	1251034	BOTTOM BURRS HOLDER IMPELLER
68	1221006	GREEN INDICATOR LAMP 250V
71	3068024	CAPACITOR μ F 16 450V 50/60Hz
72	3068019	CAPACITOR μ F 12,5 450V 50/60Hz
74	1313552	FOOT FOR COFFEE GRINDER
75	1319117	BIPOLAR LEVER SWITCH 15A 250V



Suitable for:



Brushes

1384001 BRUSH FOR COFFEE SHOWER



FAEMA

1384002 BRUSH FOR MAINTENANCE



FAEMA

Clips for pumps

1168011 STAINLESS STEEL CLAMP FOR FLANGE PUMP



FAEMA 539000101

Coffee measuring spoons

1069001 PLASTIC MEASURING SPOON



FAEMA

1069002 STAINLESS STEEL DOSING SPOON



FAEMA

Coffee tampers

1385004 ALUMINIUM COFFEE TAMPER ø 53 mm



FAEMA

1385005 ALUMINIUM COFFEE TAMPER ø 57 mm



FAEMA

1385002 NYLON COFFEE TAMPER ø 50/57 mm



FAEMA



Drawers

1080001 COFFEE HOPPER
for FAEMA MPN



FAEMA 3529133557

1080002 COFFEE HOPPER
for FAEMA MC99



FAEMA 3504135295

1080012 COFFEE HOPPER
for FAEMA MD2000-MD3000
for CIMBALI MAGNUM



FAEMA 4504133563

FAEMA 4504135040

FAEMA 465818000

1080030 COFFEE HOPPER
for FAEMA MPN



FAEMA 3526133557

1080047 COFFEE HOPPER
for FAEMA MC90



FAEMA 3504133560

1252009 COFFEE HOPPER CLOSING SHEET
for FAEMA MD2000-MD3000



FAEMA 4529133511

1252019 COFFEE HOPPER CLOSING SHEET
for FAEMA MC99



FAEMA 4831135280

1252005 COFFEE HOPPER LID
for FAEMA MPN



FAEMA 4831132087

1252006 COFFEE HOPPER LID
for FAEMA MC90-MC99



FAEMA 4529134582

1252057 COFFEE HOPPER LID
for CIMBALI MAGNUM
for FAEMA MD2000-MD3000



FAEMA 4529133528



Suitable for:

1252104 COFFEE HOPPER LID
for FAEMA MPN



FAEMA 4831118262

Feet

1313552 FOOT FOR COFFEE GRINDER



FAEMA 4701008911

Forks

1252077 FILTER HOLDER FORK
for CIBBALI CONIK
for FAEMA MC99



FAEMA 4529135265

Gaskets and seals

1186421 O-RING 02018 EPDM



FAEMA 400293000

3186245 O-RING 03200 EPDM



FAEMA 402245000

Grinders

1251034 BOTTOM BURRS HOLDER IMPELLER
for CIBBALI CONIK
for FAEMA MC90-MC99



FAEMA 4821024371

1251135 GR.BURRS CIBBALI-FAEMA TITANIUM(PAIR) LH
external ϕ 63.5 mm - internal ϕ 38 mm
thickness 9 mm - 3 mounting holes
for CIBBALI SUPER-AUTOMATIC M3-M49-M50-M51-M53
for FAEMA SUPER-AUTOMATIC X3-X5



FAEMA 427867000

FAEMA 463727000



Suitable for:

1252383 GRINDING ADJUSTMENT RING NUT
for CIMBALI CONIK
for FAEMA MC99



FAEMA 4529135275

1251042 GRINDING BURRS CIMBALI-FAEMA (PAIR)LH
external ϕ 54 mm - internal ϕ 31 mm
thickness 8 mm - 3 fixing holes
for FAEMA MPN
for FUTURMAT FP-FM



FAEMA

1251043 GRINDING BURRS CIMBALI-FAEMA (PAIR)LH
external ϕ 62 mm - internal ϕ 38 mm
thickness 9 mm - 3 fixing holes
for FUTURMAT FP-FM



FAEMA

1251015 GRINDING BURRS CIMBALI-FAEMA (PAIR) RH
external ϕ 75 mm - internal ϕ 44 mm
thickness 9.4 mm - 3 fixing holes
for CIMBALI MAGNUM
for FAEMA MD3000



FAEMA 990709000

1251041 GRINDING BURRS CIMBALI-FAEMA (PAIR) RH
external ϕ 54 mm - internal ϕ 31 mm
thickness 8 mm - 3 fixing holes
for FAEMA MPN



FAEMA 4801116730

1251044 GRINDING BURRS CIMBALI-FAEMA (PAIR) RH
external ϕ 64 mm - internal ϕ 38 mm
thickness 9 mm - 3 fixing holes



FAEMA 4801119956

1251046 GRINDING BURRS CIMBALI-FAEMA(PAIR) RIGHT
external ϕ 75 mm - internal ϕ 43.5 mm
thickness 9 mm - 3 mounting holes
for CIMBALI MAGNUM
for FAEMA MD2000



FAEMA 4801133539

1251170 GRINDING BURRS CIMBALI-FAEMA(PAIR) RIGHT
 ϕ external 63,5 mm - ϕ internal 38 mm
thickness 9 mm - 3 fixing holes
for CIMBALI SUPERAUTOMATICA M1
for FAEMA SUPERAUTOMATICA X1



FAEMA 537041300



Suitable for:

1251045 GRINDING BURRS FAEMA CONICAL (PAIR) RH

external \varnothing 68/49 mm - internal \varnothing 41/11 mm
thickness 25 mm - 4 fixing holes
for CIMBALI CONIK
for FAEMA MC90-MC99



FAEMA 2801131470

Ironmongery (screws-nuts-washers-etc.)

3528291 CROSS HEAD FLUSH SCREW M4x8 UNI 7688



FAEMA 429600000

1348813 HEXAGONAL NORMAL NUT M4 UNI 5588



FAEMA 542904040

3060069 HEXAGONAL NORMAL NUT M8 UNI 5588



FAEMA 542908080

1528030 HEXAGONAL NUT M6 UNI 5588



FAEMA 541806050

3528112 S/S SCREW T.E. M6x16 UNI 5739 DIN 24017



FAEMA 593793001

1528009 S/S SCREW T.E.M6x12 mm UNI 5739 DIN24017



FAEMA 4004041042

1528023 S/STEEL CROSS SCREW M5x16 mm UNI 7688



FAEMA 4001045920

1528001 SCREW M4x10 UNI 6109



FAEMA 503604100

1528010 SCREW WASHER HEXAGONAL HEAD M10 UNI6592



FAEMA 4041135933

1528630 STAINLESS STEEL SCREW M5x10 mm UNI 5739



FAEMA 4004041021



Knobs

1241052 DOSE ADJUSTMENT KNOB



FAEMA 483119890

1241542 SELECTOR SWITCH KNOB

square pin hole 5x5 mm



FAEMA 3831130501

Lamps

3221101 GREEN INDICATOR LAMP 230V

head ø 15 mm - ø hole 13 mm - 120°C
universal application



FAEMA 3402133614

3221132 GREEN INDICATOR LAMP 230V

head ø 13.5 mm - hole ø 10 mm - 120°C
universal application



FAEMA 3541116308

1221006 GREEN INDICATOR LAMP 250V

head ø 14 mm - hole ø 12 mm - 75°C



FAEMA 3541133504

Levers

1252330 COFFEE GRINDER/DOSER PAWL



FAEMA 4151012801

1252308 COUNTER FOR COFFEE GRINDER

for CIMBALI CONIK
for FAEMA MPN-MC99-MC90



FAEMA 4251117500

1225021 DOSER LEVER

for FAEMA MC99



FAEMA 3811135491

1252362 DOSER LEVER

for FAEMA MPN-MC90



FAEMA 4812117455



Suitable for:

1252021 PAWL GEAR 6 TEETH



FAEMA 4831134778

Microswitches

1252059 MICRO BOX



FAEMA 4529133522

1252058 MICRO BOX LID



FAEMA 4529133521

1252010 MICRO OPERATION FLAP



FAEMA 4529133533

FAEMA 4529134780

FAEMA 965017000

1252294 MICROSWITCH BOX LID



FAEMA 4831130192

1240030 MICROSWITCH 110/230V
for CIMBALI MAGNUM
for FAEMA MD2000



FAEMA 3342133738

1240806 MICROSWITCH 12A 250V
for ANFIM LUSSO-CAIMANO-SUPER CAIMANO
for FAEMA MPN
for SPAZIALE LUX800



FAEMA 3761119075



Suitable for:

1240007 MICROSWITCH 16A 250V
for CIMBALI CONIK
for FAEMA MC90-MC99



FAEMA 3341134617

3240123 MICROSWITCH 16A 250V
for ROBOT COUPE MIXER MP550A-MP600A
for PRIMUS WASHING MACHINE P6-P7
for PRIMUS DRYER T9-T11-T13-T16-T24-T35
for POLIMATIC WASHING MACHINE P65-P75
for POLIMATIC DRYER T9-T11-T13-T16-T24-T35
for GIRBAU WASHING MACHINE HS2007-HS2012-HS4007
HS4012-HS4022-HS4110
for GRANDIMPIANTI WASHING MACHINE WFM22
for SAECO 3P-5P-8P-FS400-CRISTALLO600
for NECTA VENDING ASTRO-ASTROP-BRIO250-BRIO3-BRIOC
CAPRI-COILIBRI-FIRENZE-HYPERION-KIKKO-KIKKOMAX
KIKKORY-OBLO-ROMA-SILVER3-SILVER7-SPAZIO-VENEZIA
ZENITH
for MORETTI OVEN M90C-M130C



FAEMA 3301133541

1252070 SUPPORT FOR MICRO



FAEMA 3251131313

Pins

1252008 ADJUSTMENT PIN



FAEMA 3831117444

1250036 CLASP \varnothing 5x16 mm



FAEMA 4061133599

1250038 CLASP \varnothing 5x18 mm



FAEMA 4061119924

1252361 LOCKING PIN



FAEMA 3811023281

1252384 LOCKING PIN



FAEMA 3811135283

1252318 LOCKING RING NUT



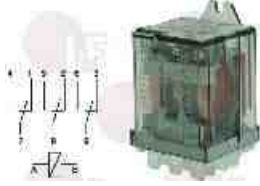
FAEMA 4851117463



Suitable for:

Relays

3351008 RELAY 62.83 16A 230V 50/60Hz
3 switching contacts
for CIMBALI MAGNUM-SPECIAL-6/S-6/SNEW
for FAEMA MD3000



FAEMA 3442133670

Rinse aid pumps and accessories

1252111 DISPENSER BLACK CASE
for FAEMA MPN



FAEMA 3831132158

1252192 DOSER CYLINDER
for CIMBALI CONIK
for FAEMA MC90-MC99



FAEMA 4804131211

1252382 DOSER CYLINDER
for CIMBALI MAGNUM
for FAEMA MD2000



FAEMA 4504133562

1252007 DOSER LID
for FAEMA MC90-MC99



FAEMA 4529134581

FAEMA 4529135293

FAEMA 4831131202

1252020 DOSER LID
for CIMBALI MAGNUM
for FAEMA MD2000-MD3000



FAEMA 4529133527

FAEMA 990710000

1252065 SCRAPER FOR COFFEE DOSER



FAEMA 4731119891

Springs

1250031 CLAPS SPRING ø 5x24 mm



FAEMA 4731027432

1250061 CLASP SPRING



FAEMA 4731133577



Suitable for:

1250037 COFFEE TAMPER SPRING \varnothing 10x60 mm



FAEMA 4731117451

1250062 DOSER LEVER RETURN SPRING
for CIBALI MAGNUM
for FAEMA MD2000-MD3000



FAEMA 4731133581

1250032 LEVER RETURN SPRING \varnothing 9x50 mm
for CIBALI CONIK
for FAEMA MPN-MC99-MC90



FAEMA 4731131784

1250035 SPRING \varnothing 11x50 mm



FAEMA 4731008848

1348817 STAINLESS STEEL CIRCLIP RA-4 UNI 7437



FAEMA

1250060 COFFEE TAMPER SPRING \varnothing 13x73 mm



FAEMA 4731133593

1250033 DOSER LEVER RETURN SPRING LEFTHAND
for CIBALI MAGNUM
for FAEMA MD2000-MD3000



FAEMA 4731133582

1250059 MOTOR PIN SPRING
for CIBALI MAGNUM
for FAEMA MD2000-MD3000



FAEMA 4731133568

1250034 SPRING \varnothing 8x25 mm



FAEMA 4731023460

1250069 STROKE COUNTER SPRING



FAEMA 4731117495

Stars and spare parts

1343023 BOTTOM STAR



FAEMA 3831117460

1252200 DOSER SHEET



FAEMA 4941026287



Suitable for:

1343026 MIDDLE STAR

1343020 TOP STAR



FAEMA 3831117458

FAEMA 4831117462

Starting capacitors

3068016 CAPACITOR μ F 10 450V 50/60Hz
operating temperature -25+85°C
in compliance with EEC 93/68 and 92/31 regulations



FAEMA 2341119567

FAEMA 2341132750

FAEMA 2341134750

3068019 CAPACITOR μ F 12,5 450V 50/60Hz
operating temperature -25+85°C
in compliance with EEC 93/68 and 92/31 regulations



FAEMA 3341115503

3068024 CAPACITOR μ F 16 450V 50/60Hz
operating temperature -25+85°C
in compliance with EEC 93/68 and 92/31 regulations



FAEMA 3341131517

3068008 CAPACITOR μ F 5 450V 50/60Hz
operating temperature -25+85°C
in compliance with EEC 93/68 and EEC 92/31 regulat



FAEMA 531492800

3068014 CAPACITOR μ F 8 450V 50/60Hz
operating temperature -25+85°C
in compliance with EEC 93/68 and 92/31 regulations



FAEMA 3341134535

Switches

1319117 BIPOLAR LEVER SWITCH 15A 250V
for CIMBALI MAGNUM-CONIK
for FAEMA MD3000-MPN-MC90



FAEMA 3761118901

FAEMA 3761119957

FAEMA 532021408

1319902 BLACK BIPOLAR SWITCH 16A 250V
with indicator led lamp
mounting hole 22x30 mm
for MAZZER MINI-MINI ELETTRONICO A/B-LUX
for CIMBALI JUNIOR-CADET-ALINOX-ALINOX A
for DRM GTM64
for CIMBALI SUPERAUTOMATICA M1
for FAEMA SUPERAUTOMATIC X1



FAEMA 532022008



Suitable for:

Terminal boards

3247016 3-POLES TERMINAL BLOCK FV273 40A 450V
for cable max \varnothing 6 mm
operating temperature 150°C



FAEMA 532128200

Trays

1260010 COFFEE COLLECTING TRAY
for FAEMA MPN



FAEMA 4831117480

1252367 COFFEE COLLECTION TRAY
for FAEMA MC99



FAEMA 3529135479

The data herewith contained may change without notice and LF SpA cannot be held responsible for possible errors stated or resulting by the use of this document. All rights reserved. No part of this publication may be reproduced without written permission by LF SpA.



LF SpA

via Voltri, 80 – 47522 Cesena (FC) ITALIA
Tel. +39 0547 34 11 11 – Fax +39 0547 34 11 10
www.lfricambi724.it – www.lfricambi724.mobi
info@lfricambi.it
Export Dept.: Tel. +39 0547 34 11 50 – Fax: +39 0547 34 11 55
www.lfspareparts724.com – www.lfspareparts724.mobi
export@lfspareparts.com

FRANCE



EPGC

13, Rue des Forts - 59960 Neuville-en-Ferrain
Tél. +33 (0)3 20 25 06 21
Fax +33 (0)3 20 25 34 12
www.epgc.com
epgc@epgc.com

DEUTSCHLAND



LF GmbH

Junkersstrasse, 1 – D-82178 Puchheim – München
Tel. +49 89 89 45 78 66
Fax +49 89 89 45 78 88
www.lfersatzteile724.de
www.lfersatzteile724.mobi
info@lfersatzteile.de

SCHWEIZ



LF GmbH Verkaufsbüro

Sennweidstrasse, 45 – CH-6312 Steinhausen
Tel. +41 (0)41 760 15 80-1
Fax +41 (0)41 760 15 85
www.lfersatzteile724.ch
www.lfersatzteilech724.mobi
info@lfersatzteile.ch

ESPAÑA



LF oficina de venta

Calle Ciudad real, 10 – 45517 Escalonilla – Toledo
Tlf. +34 925 75 83 23
Fax +34 925 75 82 09
www.lfrepuestos724.es
www.lfrepuestos724.mobi
info@lfrepuestos.es

ESPAÑA



DAGA Accesorios S.L.

Calle Ciudad Real, 10 – 45517 Escalonilla – Toledo
Tlf. +34 914 77 91 00
Fax +34 914 77 90 81
www.dagarepuestos724.es
comercial@dagarepuestos.es

RUSSIA



OOO LF

ul. Anatoliya Zhivova, 8 – office 1 – 123100 Moscow
Tel. +7 499 259 85 75
Fax +7 495 725 26 53
www.lfspareparts724.ru
www.lfspareparts724.mobi
info@lfspareparts.ru

CHINA



LF China

Room 102, House 8, Lane 725, Mao Tai Rd.
Changning Dist. – 200336 Shanghai
Tel. +86 (0)21 33 53 66 31
Fax +86 (0)21 33 53 66 32
www.lfspareparts724.com
www.lfspareparts724.mobi
china@lfspareparts.com