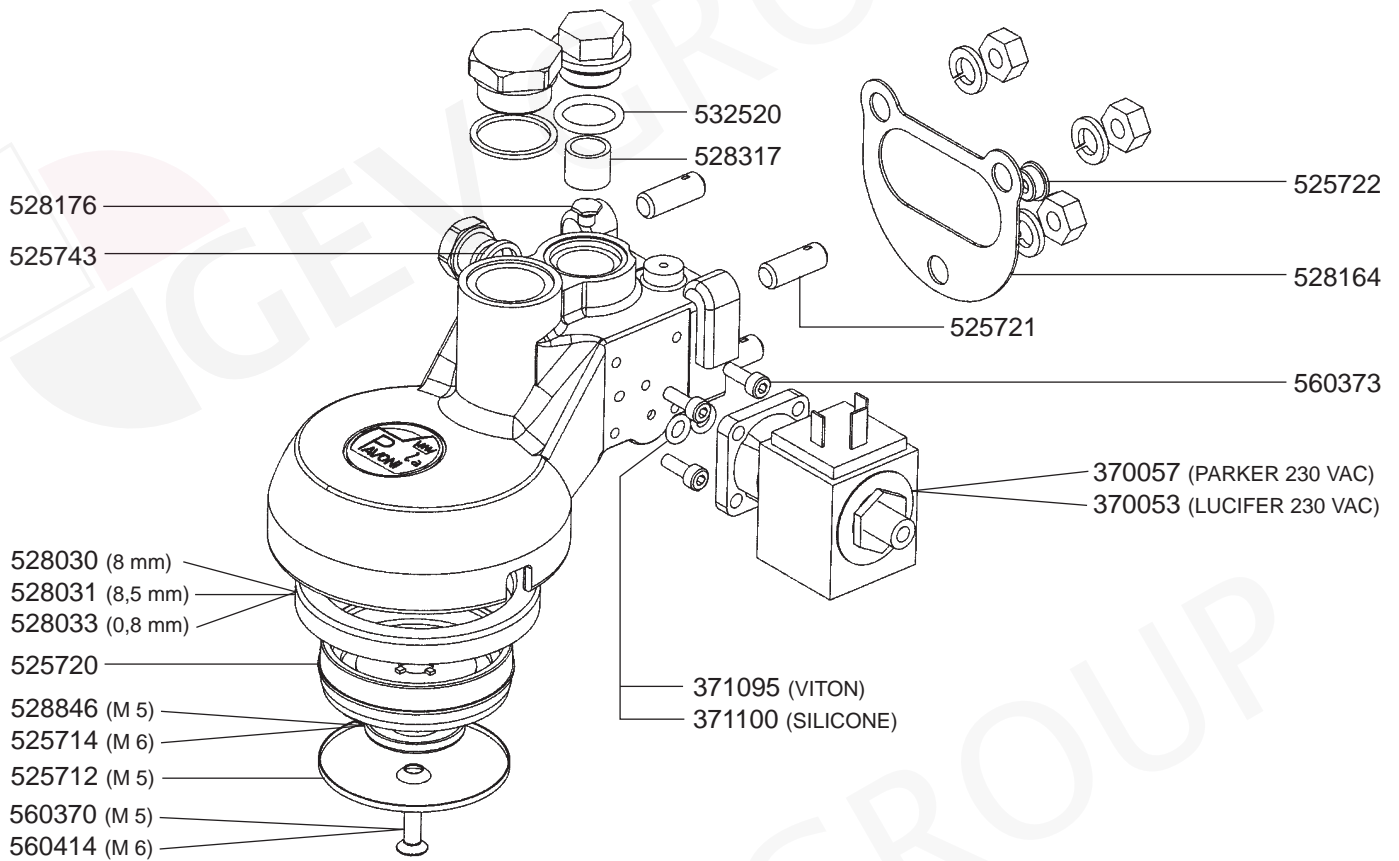
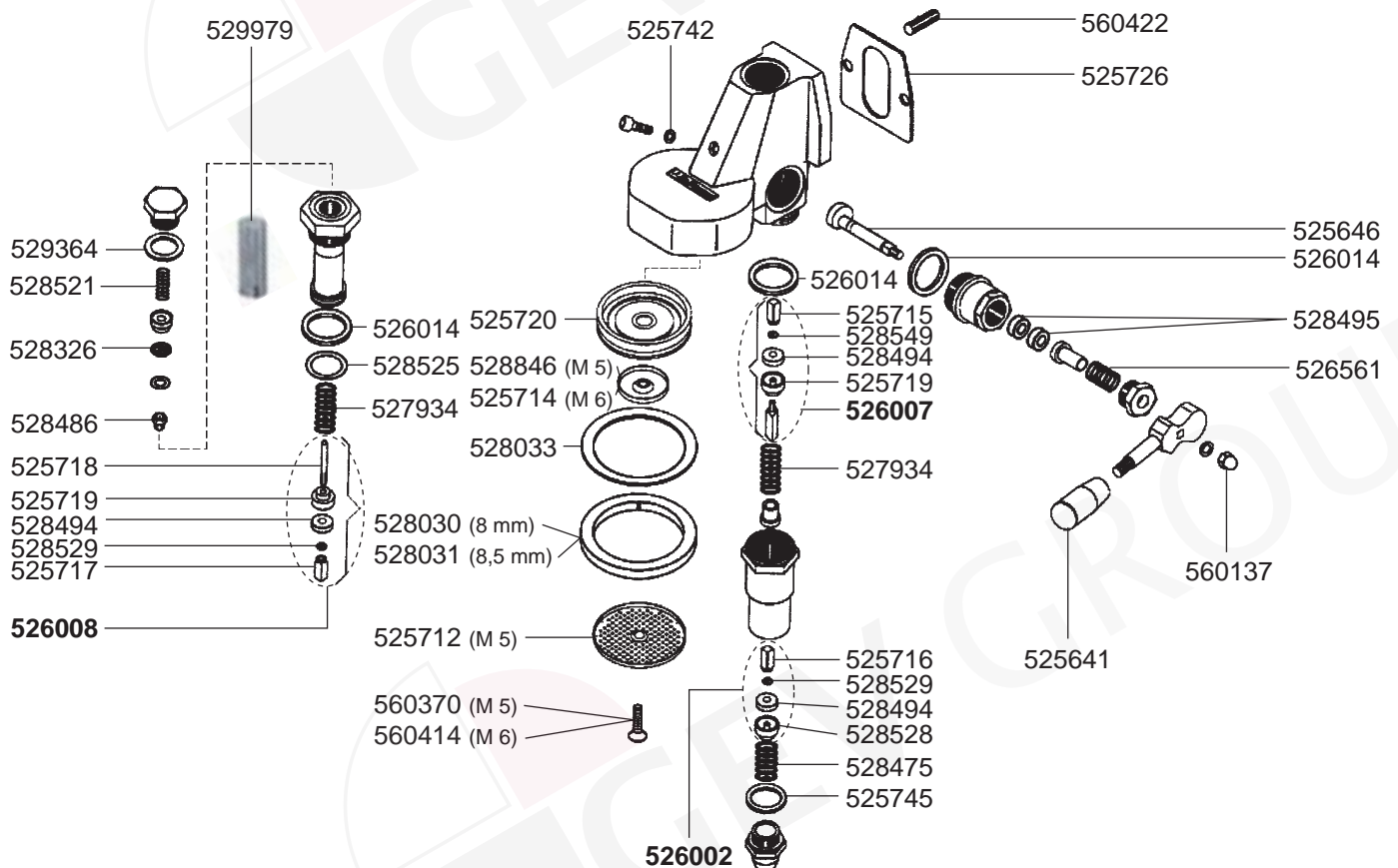


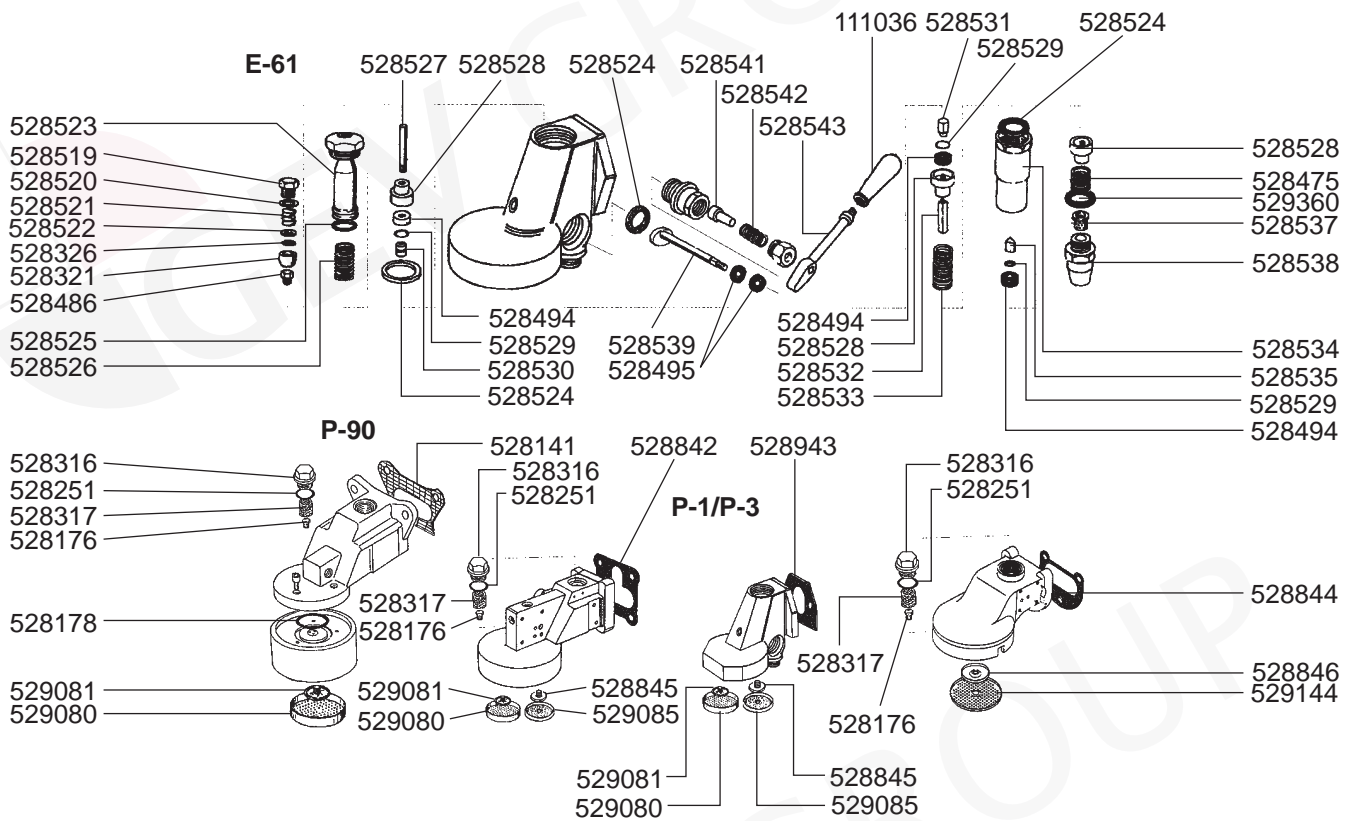
SOLENOID GROUP



MANUAL GROUP



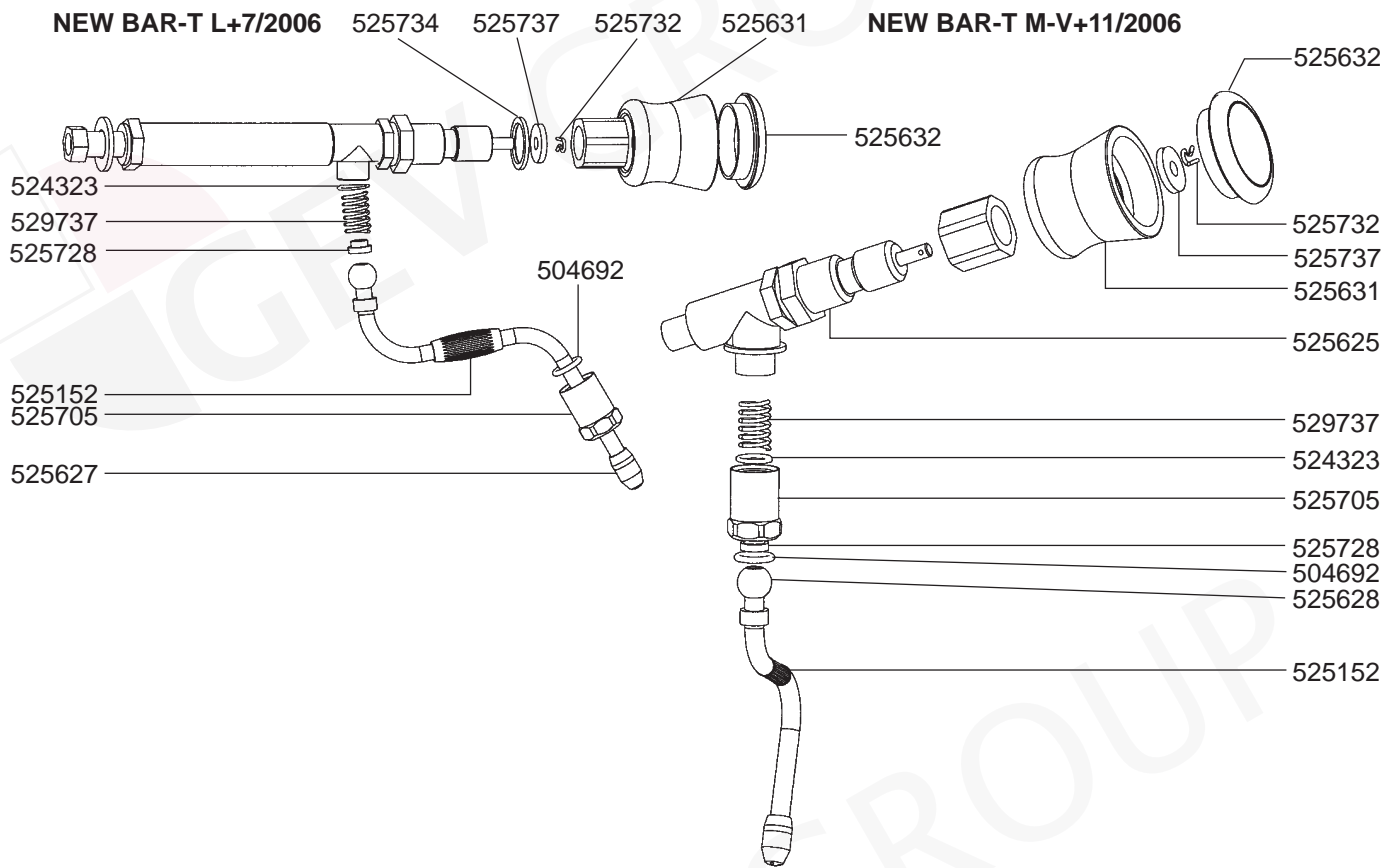
OLD MODEL GROUPS



FILTER HOLDERS

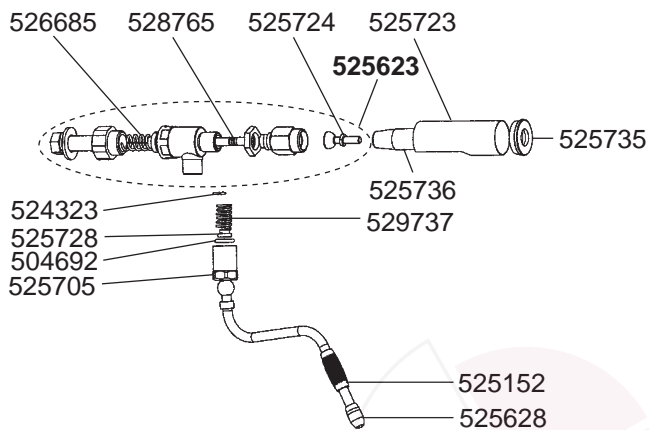


STEAM TAP NEW BAR-T L+7/2006 - NEW BAR-T M-V +11/2006

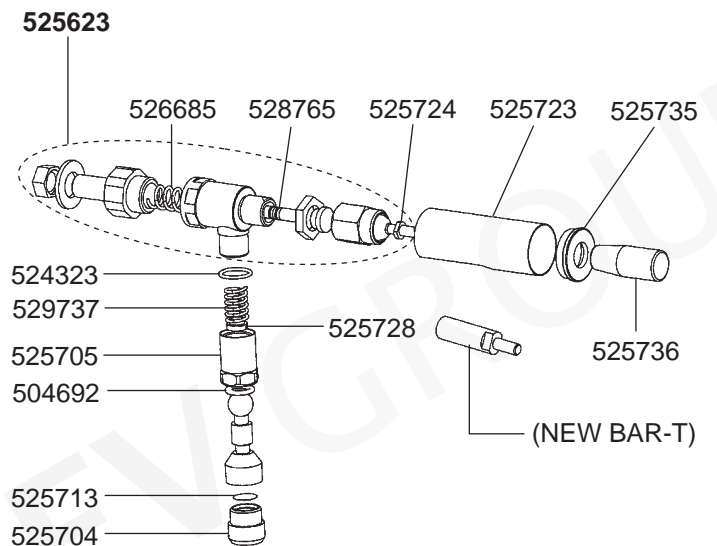


STEAM/WATER TAPS PUB 1S/PUB 2S/BAR/HOTEL/NEW BAR-T +7/2008

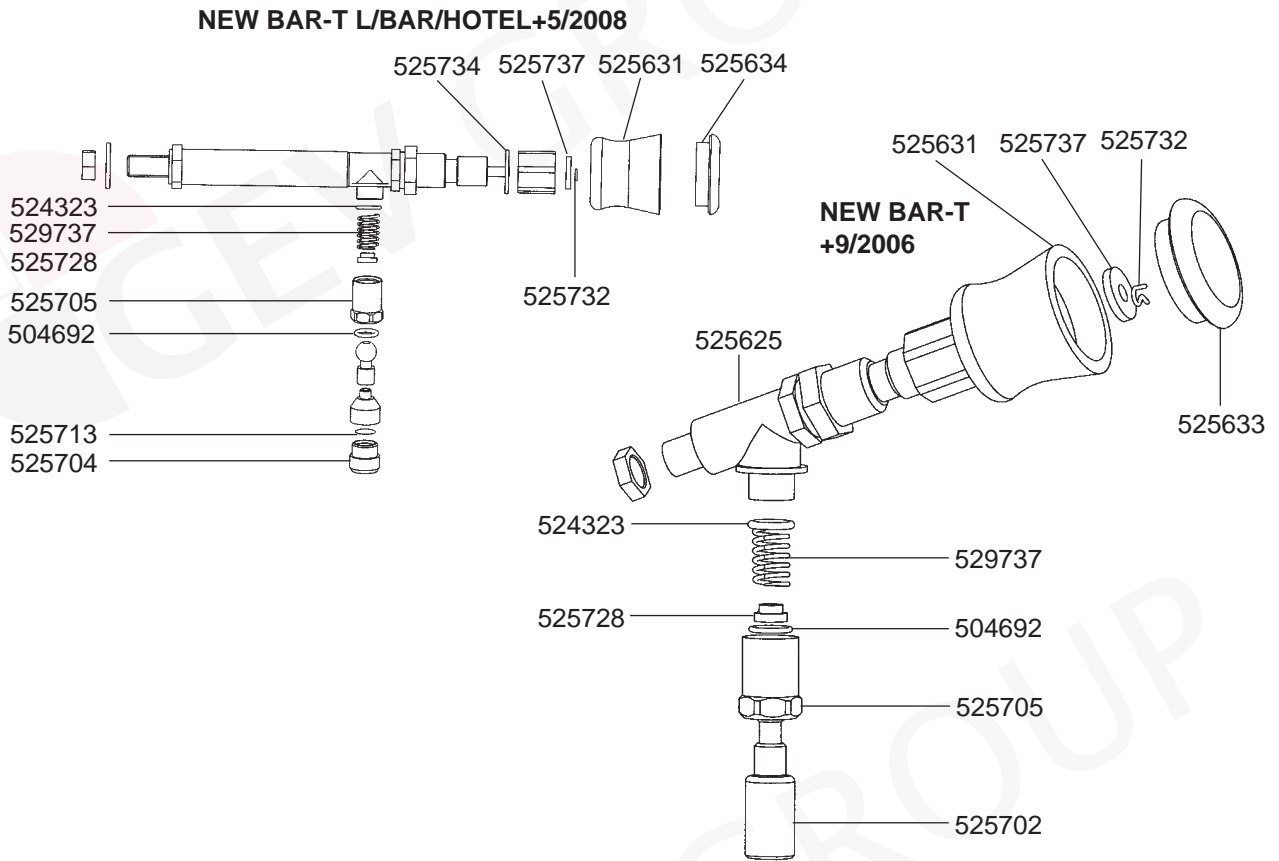
**PUB 1S
PUB 2S**



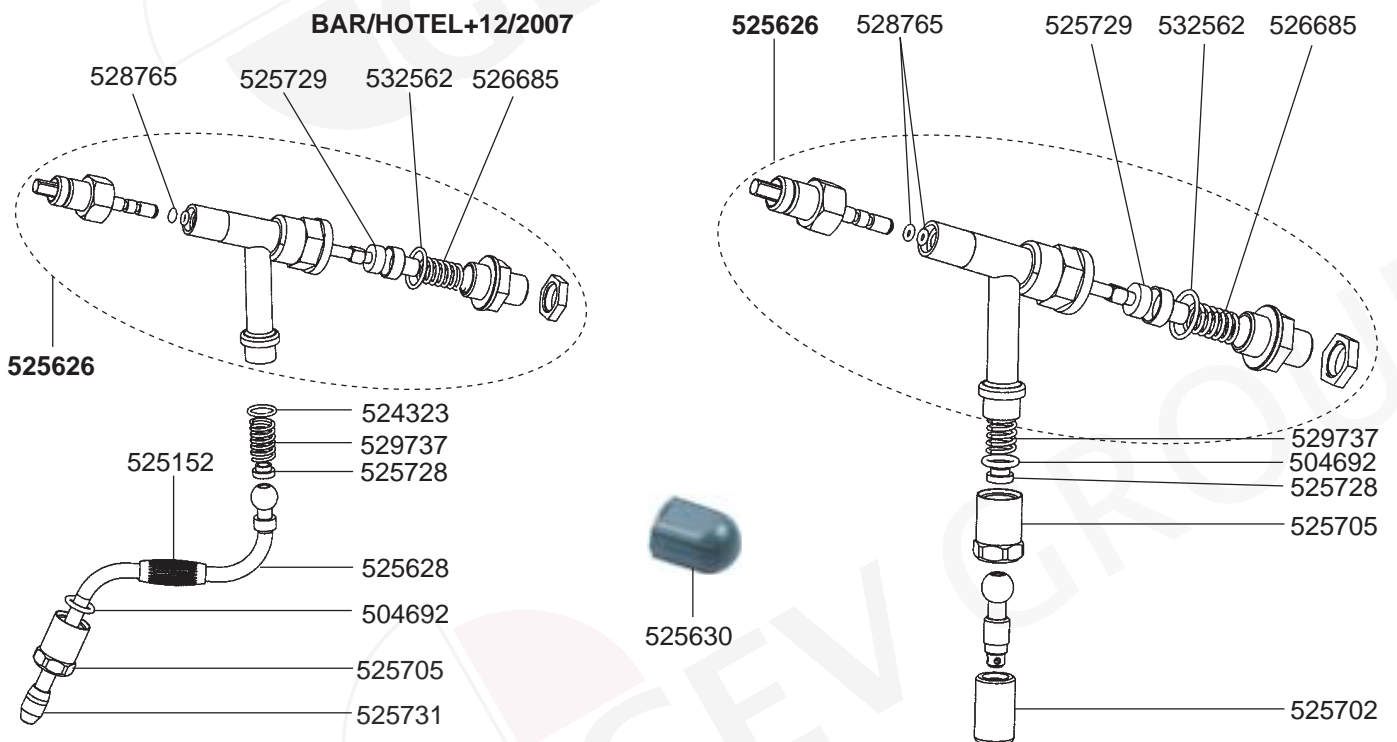
**PUB 1S
PUB 2S
BAR/HOTEL/NW BAR-T +7/2008**



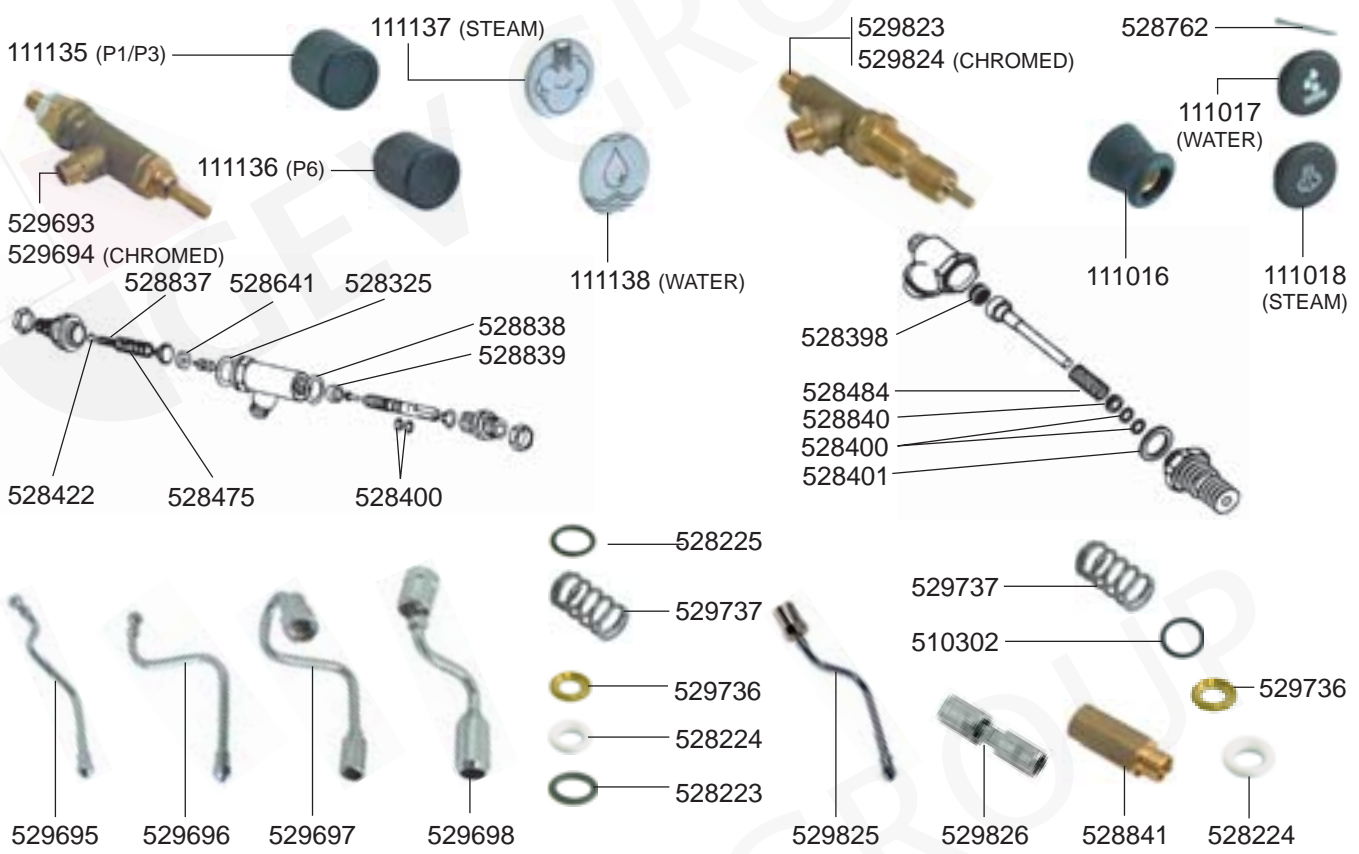
WATER TAPS NEW BAR-T L/BAR/HOTEL +5/2008



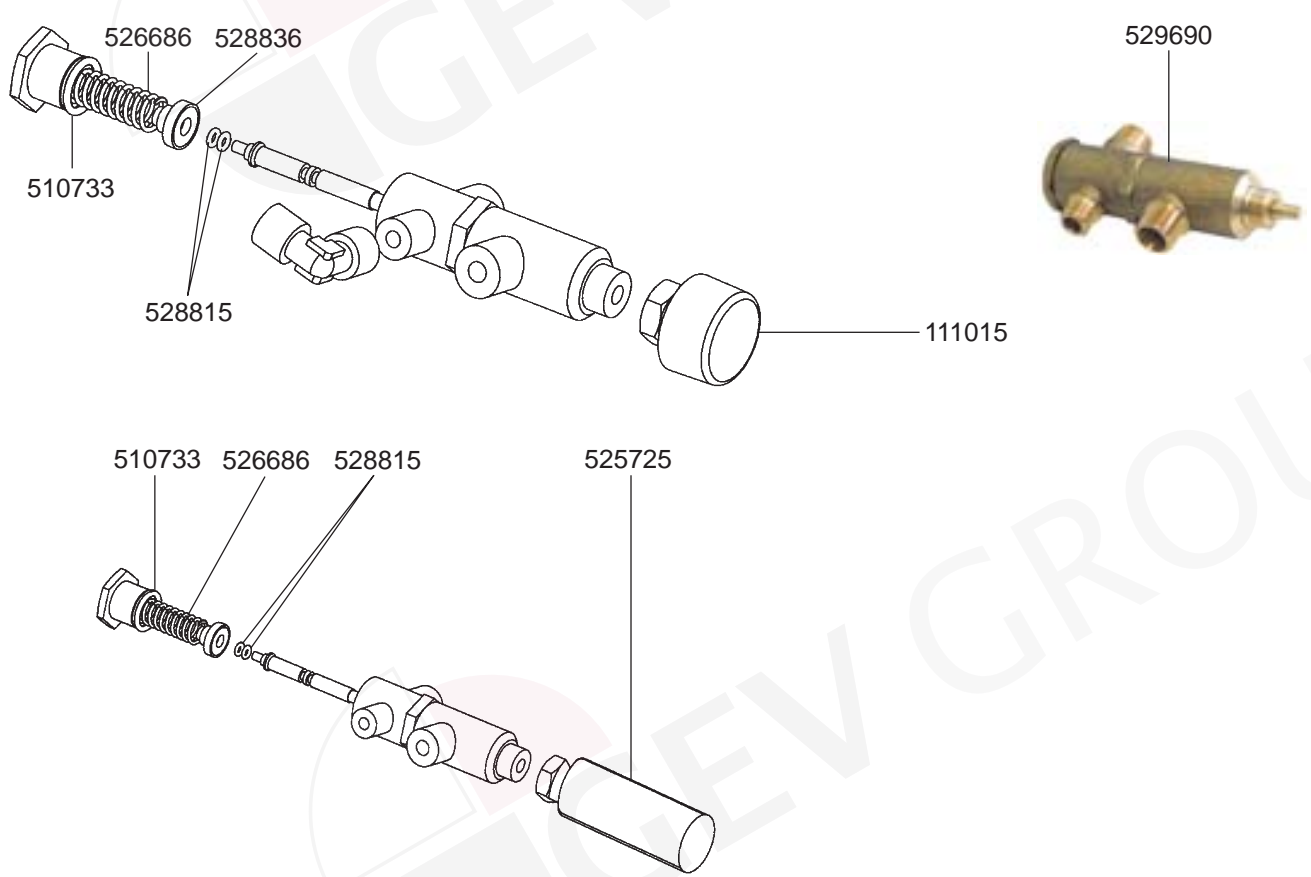
STEAM/WATER TAPS BAR/HOTEL +12/2007



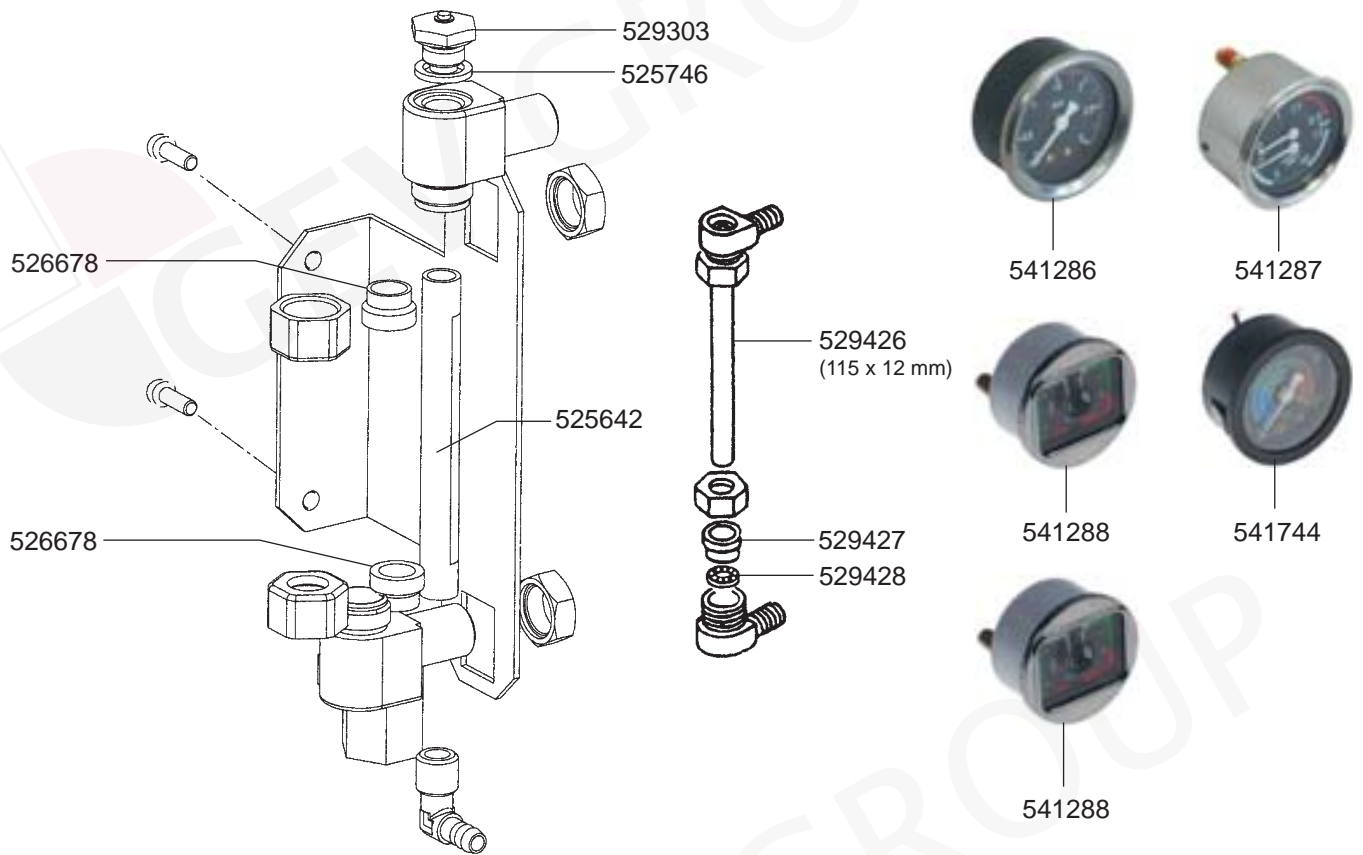
OLD MODEL STEAM/WATER TAPS



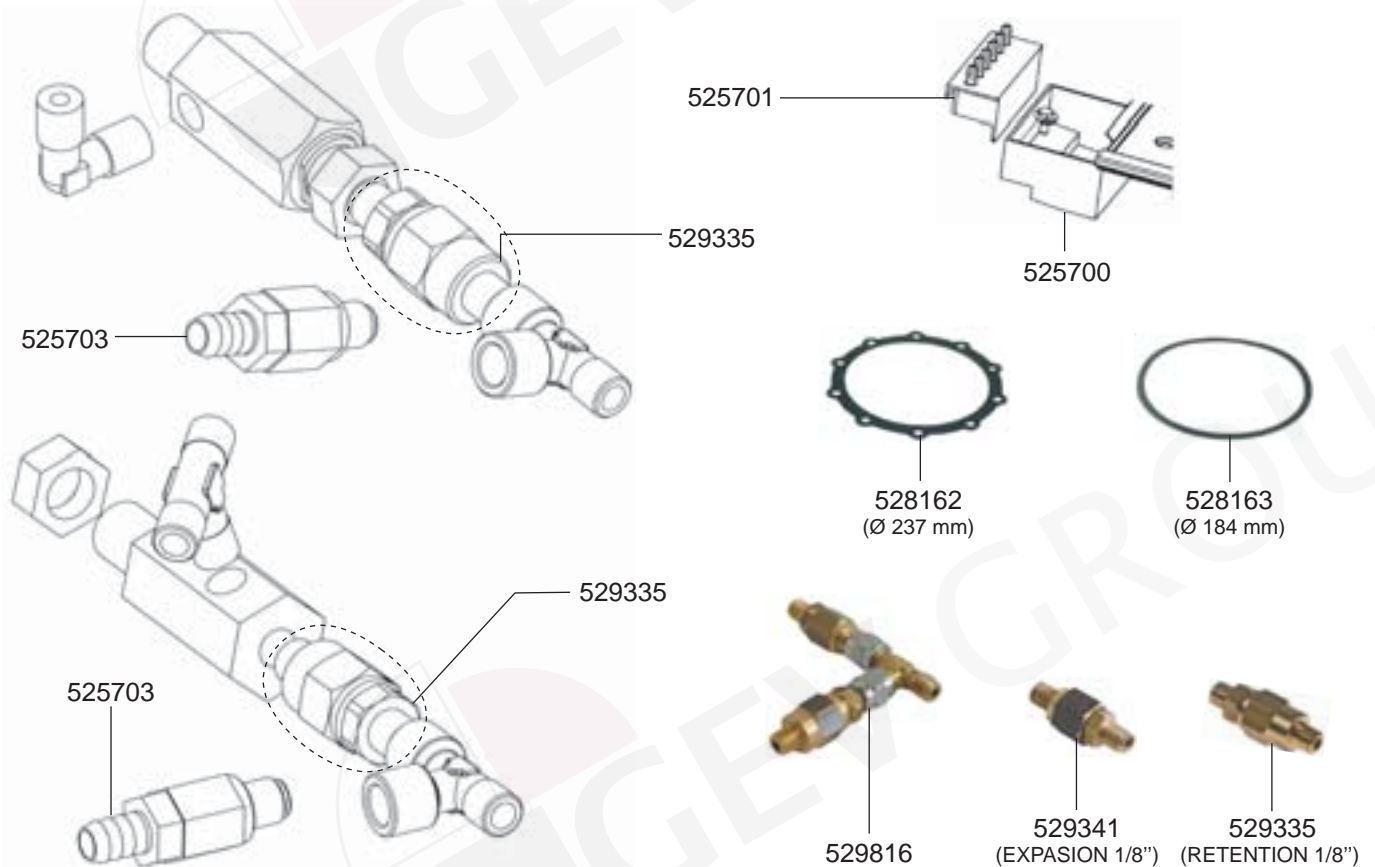
Inlet VALVES



LEVEL INDICATOR/MANOMETERS



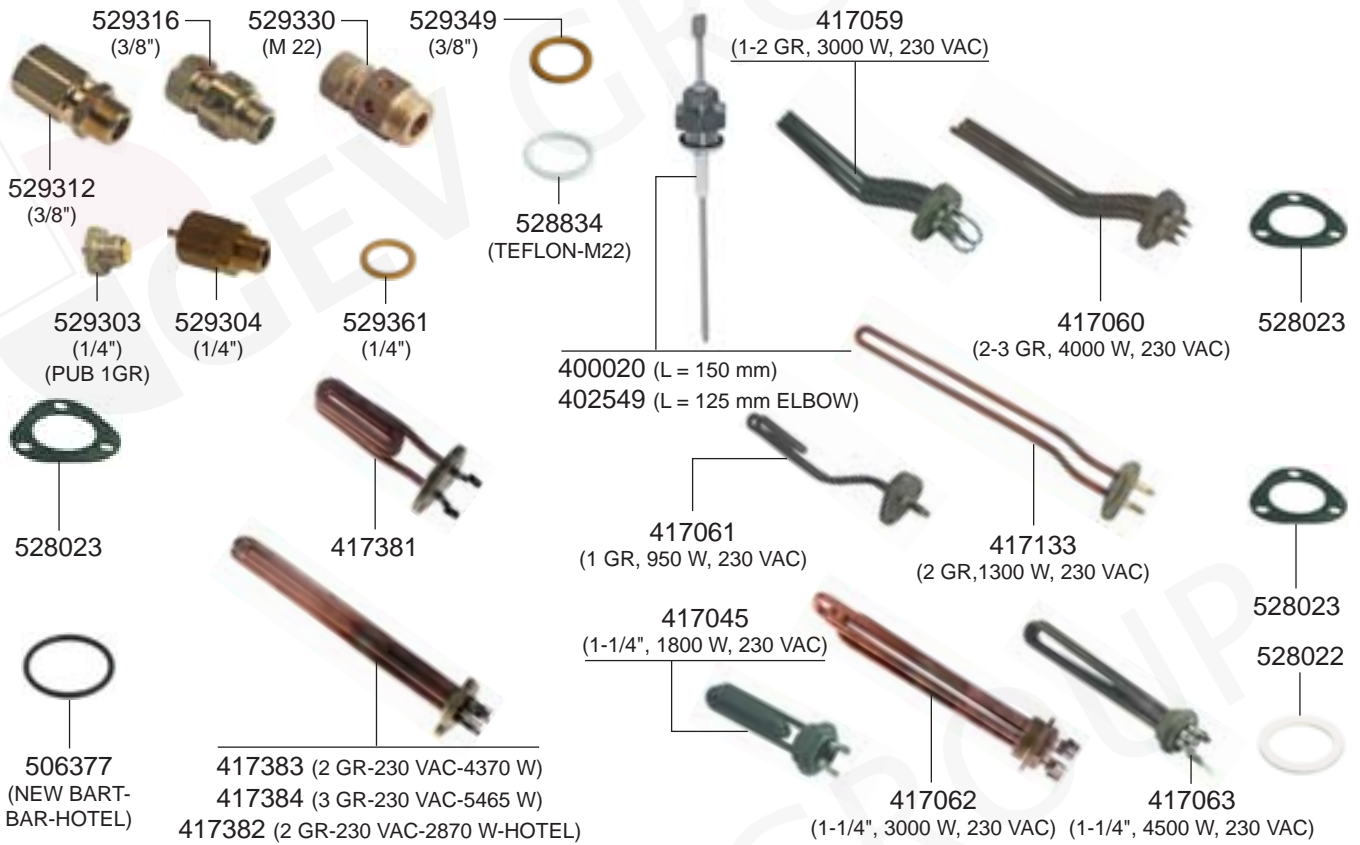
VALVES



LA PAVONI - ESPRESSO MACHINES

1
ESPRESSO MACHINES

BOILER VARIOUS

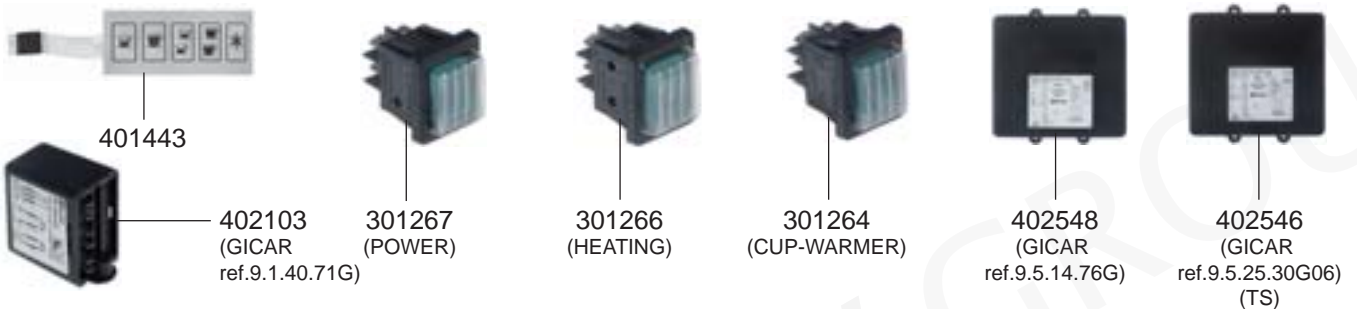


ELECTRICAL COMPONENTS PUB1-S2 +11/2006 - NEW BAR-T/BAR/HOTEL

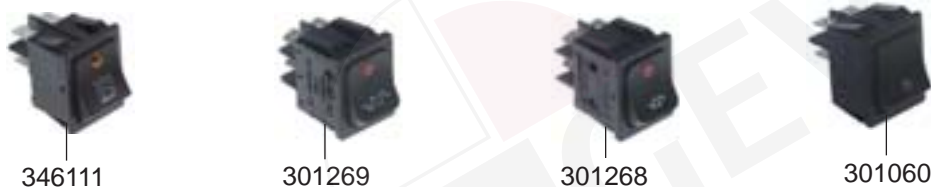
PUB 1-2-S+11/2006



NEW BAR-T



BAR/HOTEL



ELECTRICAL COMPONENTS BAR/HOTEL/BAR S-L

BAR/HOTEL



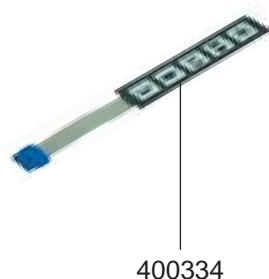
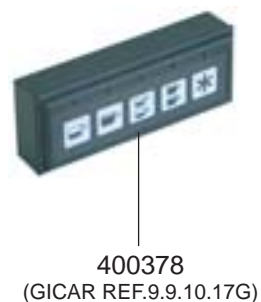
BAR S-L



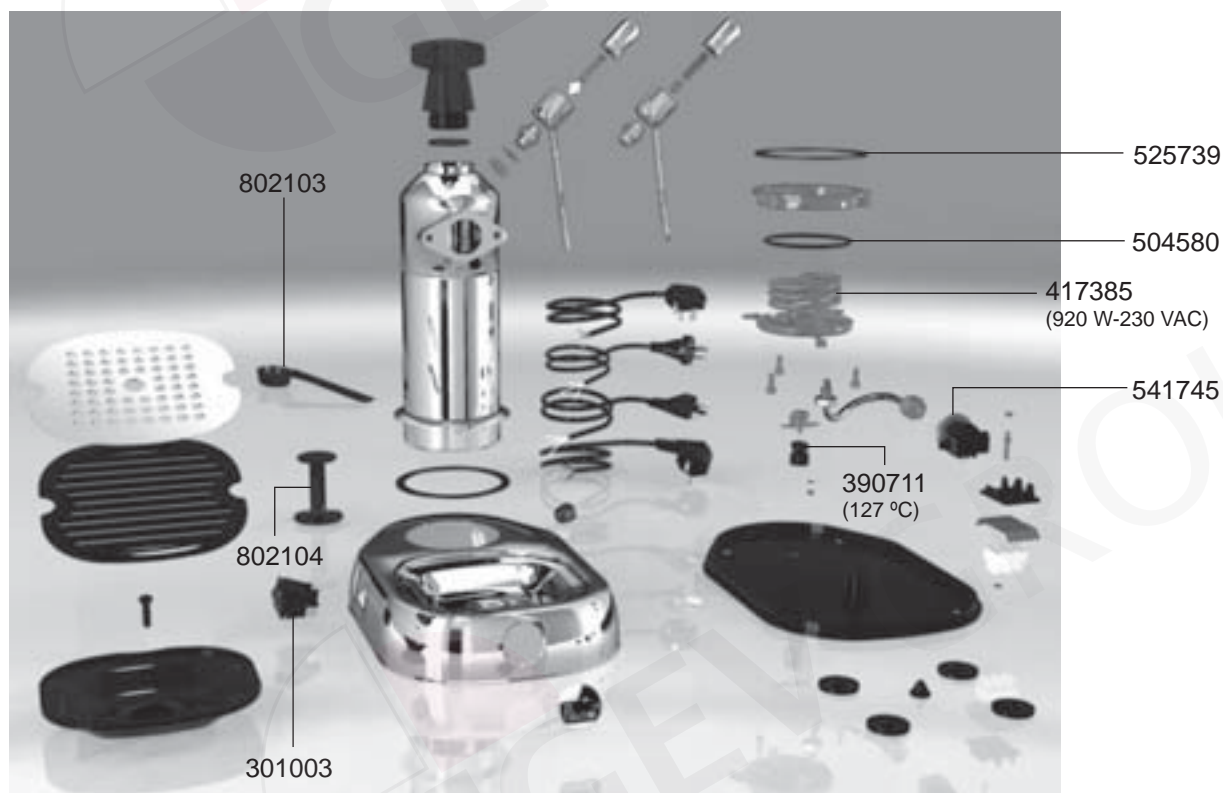
ELECTRICAL COMPONENTS VARIOUS



ELECTRICAL COMPONENTS VARIOUS



EUROPICOLA/PROFESSIONAL VARIOUS



EUROPICOLA/PROFESSIONAL VARIOUS

